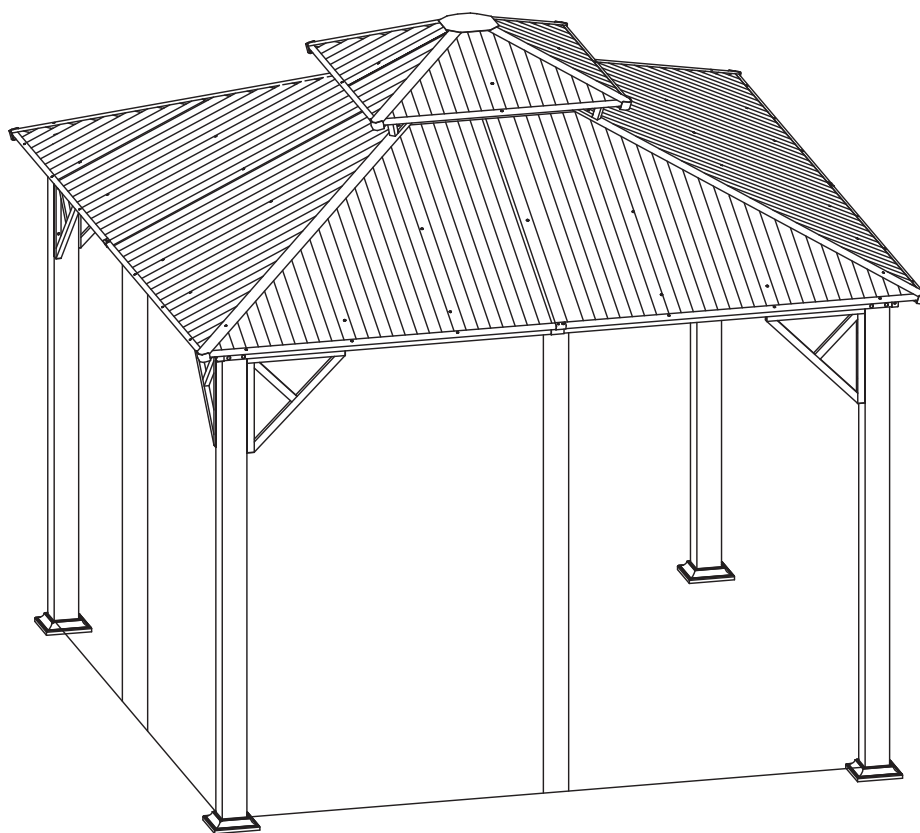


Metropolis gazebo 10' x 10' B101040 (2023) Assembly Instructions



MEUBLES DE JARDIN
CORRIVEAU
OUTDOOR FURNITURE

Important notice

Please read and follow all safety statements, warnings, assembly instructions, use & care directions before attempting to assemble. Each of the recommendations must be followed to ensure the utmost solidity.

Security Rules

Warning:

Keep flame and heat sources away from the gazebo fabric. The fabric may burn or melt at direct contact or prolonged exposure with a source of heat. The application of any foreign substance to the gazebo fabric may affect the flame retardant properties.

Regulation

It is the responsibility of the consumer being in accordance with city regulation, construction code, zoning or any limitations and obtaining permit prior assembling gazebo.

Recommendation

- When assembling and using this product, basic safety precautions should always be followed to reduce the risk of personal injury and damage to parts.
- Do not use the gazebo during extreme weather conditions.
- Before beginning assembly of product, make sure all parts are present. Compare parts with package contents list. If any part is missing or damaged, do not attempt to assemble the product.
- Some parts may contain sharp edges. Use of protective gloves is always recommended.
- When installing and assembling your gazebo, it is recommended that 2 or more adults are involved.
- Considering at least 5 hours to complete installation, even well anchored, a gazebo unit that is not finished assembly can get or create damages to nearby environment.
- Verify that all nuts and bolts are tightly secured before and during use period.
- Use proper tools and equipment for a safe and compliant installation. Never climb, sit or stand on structure while assembling.

- Although this gazebo is built for all year round, the snow must be removed from the roof.
- Mosquito net and curtains (optional) must be removed from the unit in freezing period.
- Anchoring bolts or other anchoring devices are not supplied.
- Keep away from any electric installation or transportation device.
- Always recommended to keep assembly manual for further reference.

Care

Avoid using a pressure washer. The use of a mild soap with warm water is the best solution for the frame only. A clear water rinse is necessary then. Never use soap on fabric, this will reduce their durability, consequently their lifespan and general look. The use of a soft brush and warm water are an excellent solution for cleaning the fabric.

Warranty

Covered

We warrant the frame and fabric to be free of manufacturing defects to the original purchaser for one year.

Not covered

This warranty does not cover commercial use, lack or improper care, neglected storage, vandalism, chemical, acts of nature, fire, oxidation, stains, freeze damage, improper packaging for return and unreasonable or abusive use. Normal discoloration and build-up snow damages are not covered either.

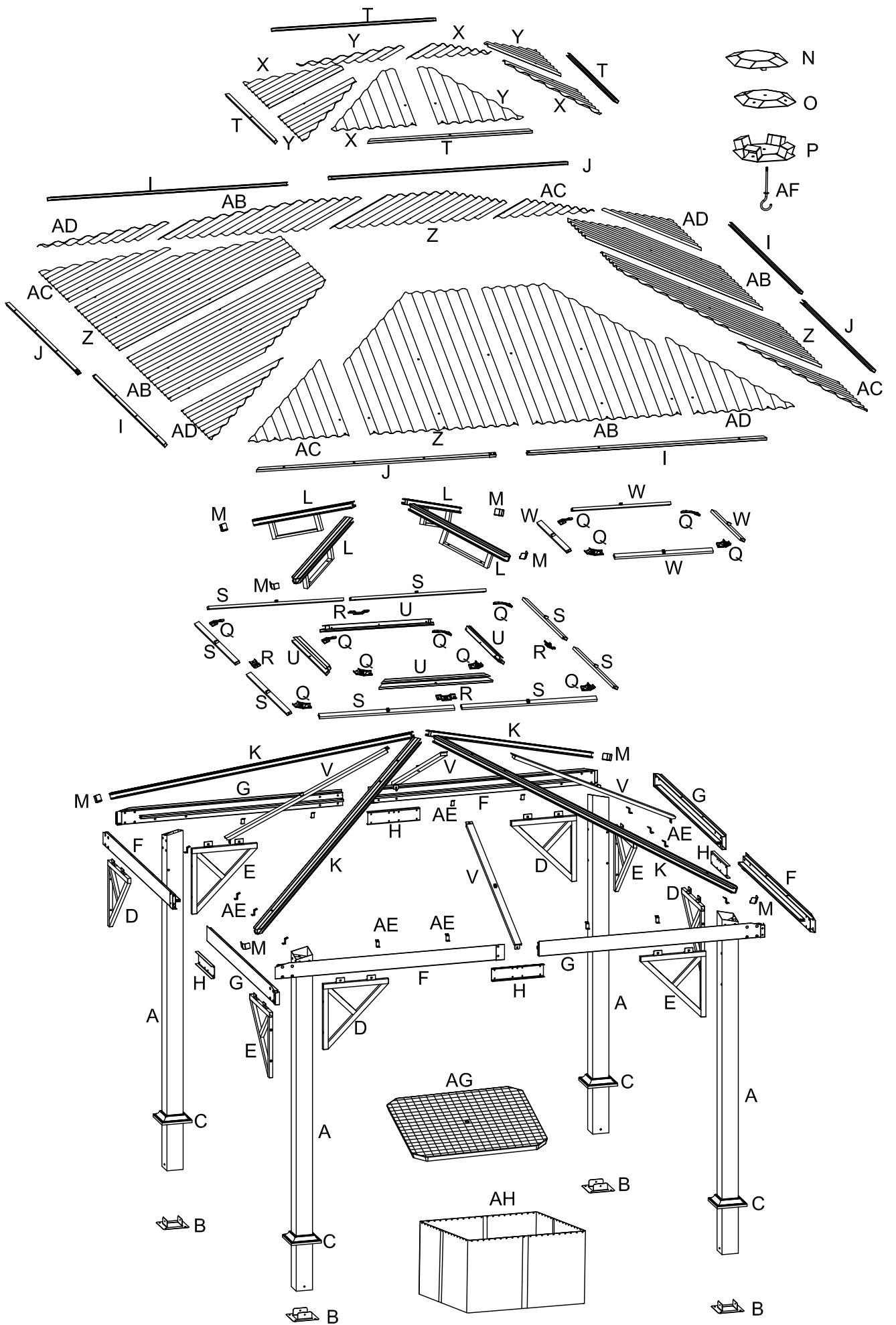
Customer service:

Consumer

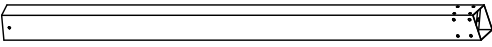
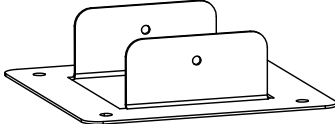
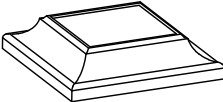
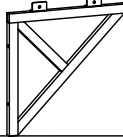
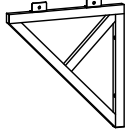


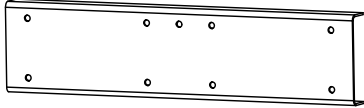



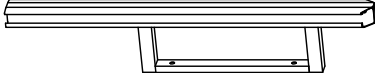

For each part request, please contact your retailer with a description of the problem, pictures and consumer invoice copy, to ensure the proper information to be proceed.




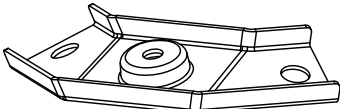
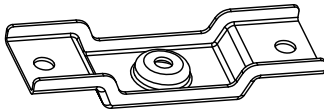
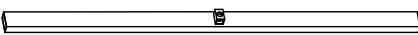



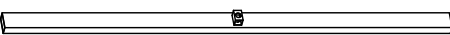
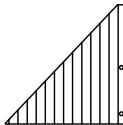
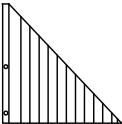
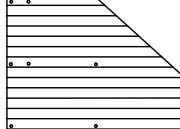
Seller

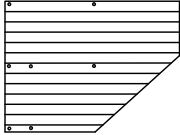
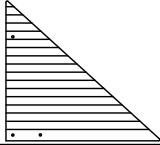
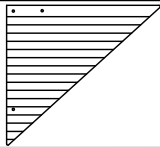

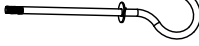
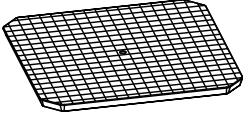
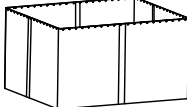
In addition to all the information already provided by the consumer, any parts requested must mention the person responsible for the client's file, the retailer name, address, branch if applicable, e-mail address, fax and phone number.



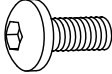
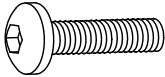
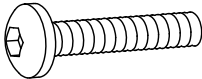
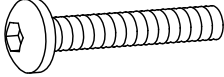
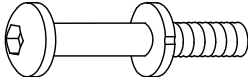

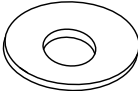
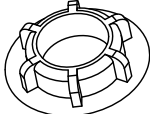


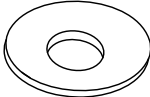
PARTS LIST:

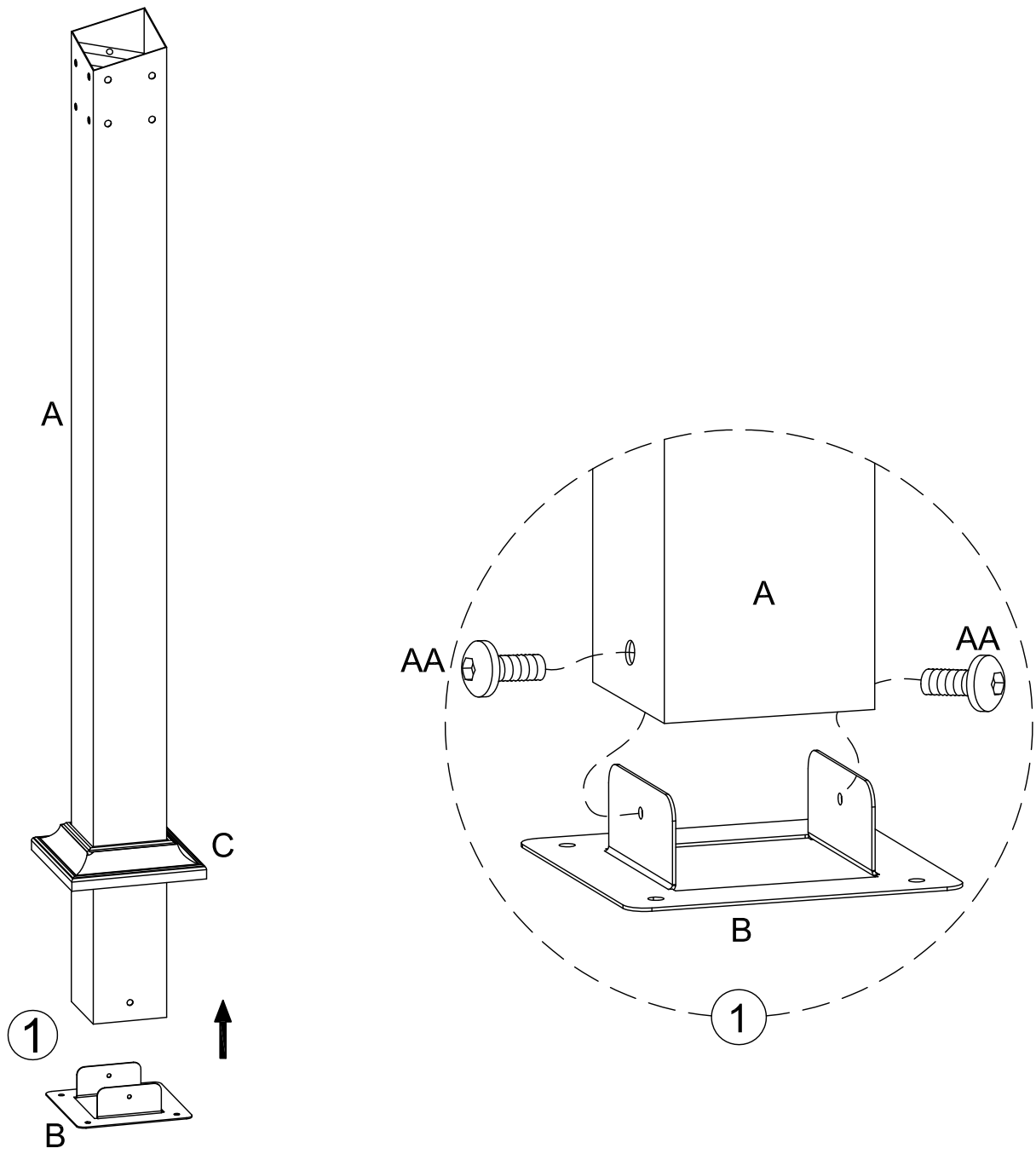
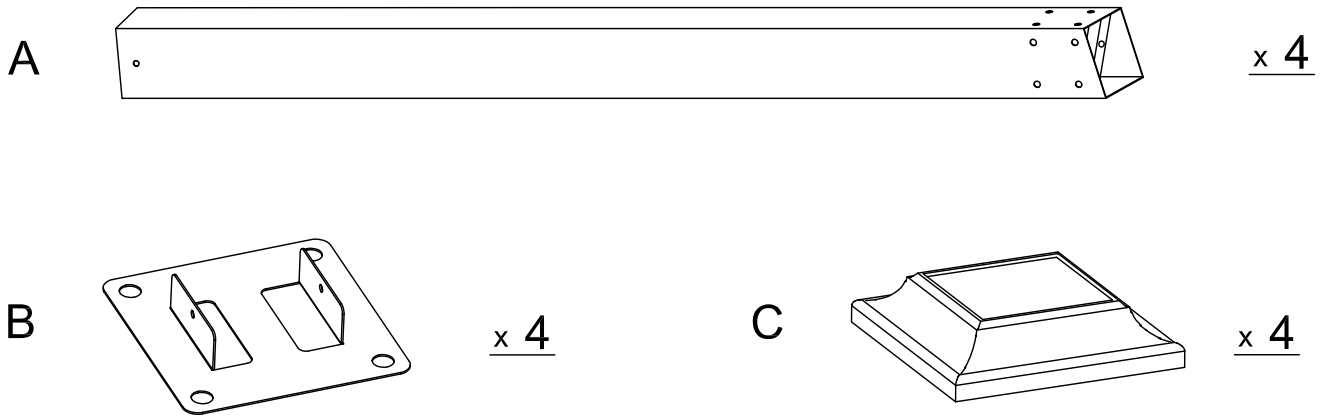
NO.	Description	Qty	Sketch
A	Post	4	
B	Base flange	4	
C	Base cap	4	
D	Right Brace	4	
E	Left Brace	4	
F	Crossbar	4	
G	Crossbar	4	
H	Connector	4	
I	Eave profile	4	
J	Eave profile	4	
K	Corner roof tubing	4	
L	Air vent tubing	4	
M	Corner molding	8	

NO.	Description	Qty	Sketch
N	Roof cap	1	
O	Roof middle connector	1	
P	Roof connector	1	
Q	Corner connector	12	
R	Middle connector	4	
S	Roof support tubing	8	
T	Air vent profile	4	
U	Roof profile	4	
V	Middle support tubing	4	
W	Air vent support tubing	4	
X	Air vent panel	4	
Y	Air vent panel	4	
Z	Middle roof panel	4	

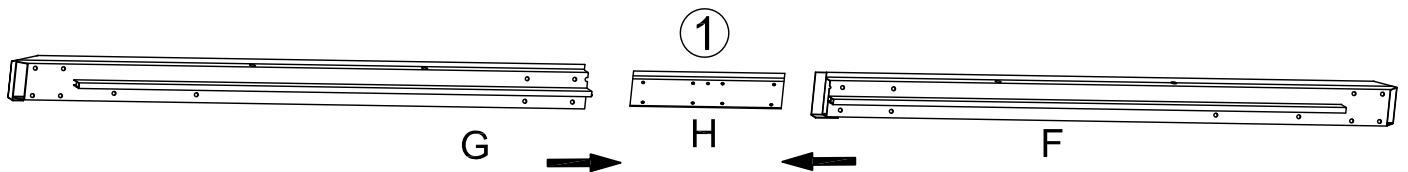
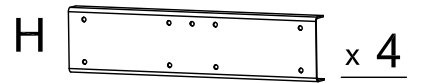
NO.	Description	Qty	Sketch
AB	Middle roof panel	4	
AC	Left roof panel	4	
AD	Right roof panel	4	
AE	Bracket	16	
AF	Hook	1	
AG	Air vent mosquito net	1	
AH	Mosquito net	1	

Hardware Kit:

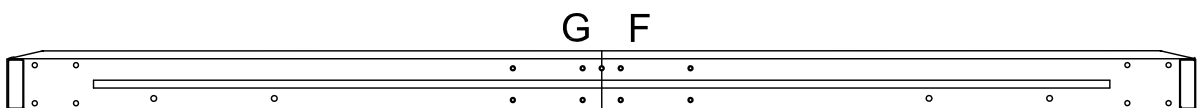
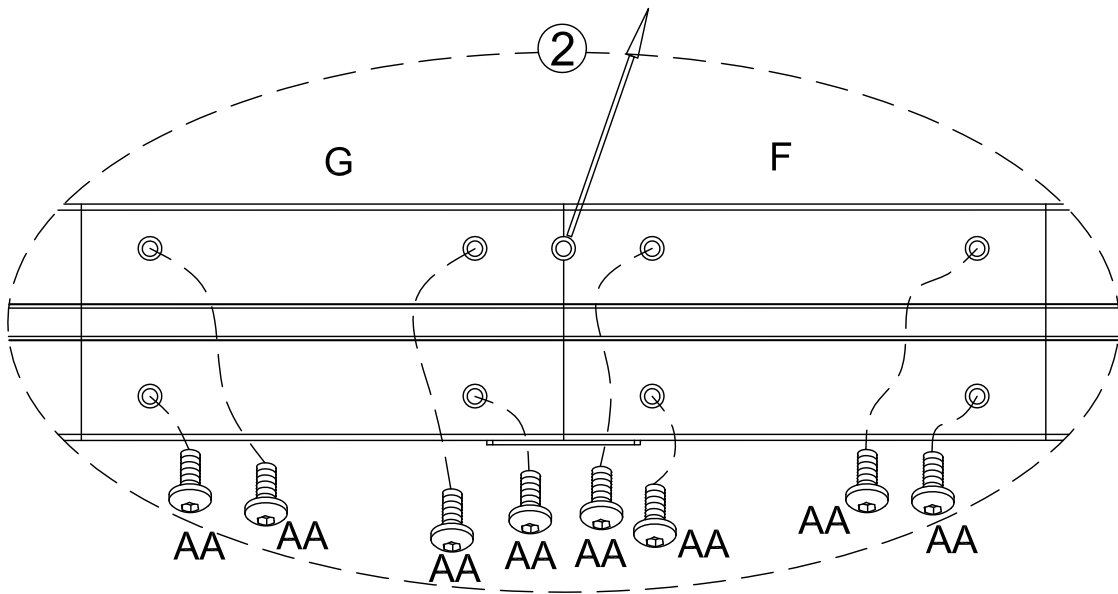
NO.	Description	Qty	Sketch
AA	Bolt M6 X 15mm	177	
BB	Bolt M6 X 25mm	40	
CC	Bolt M6 X 42mm	16	
DD	Bolt M6 X 60mm	4	
EE	Half-thread screw M6 X 30mm	32	
FF	Nut M6	32	
GG	Plastic Washer	36	
HH	Plastic cap	32	
II	Spanner	1	
JJ	Allen key	2	
KK	Steel washer	8	



Step1 :
 Bolts can be tight completely. Insert base caps (C) at the bottom of the post (A). Then, fix the base flange (B) by using the bolts (AA) at the bottom of the post (A). Repeat the step for all posts.

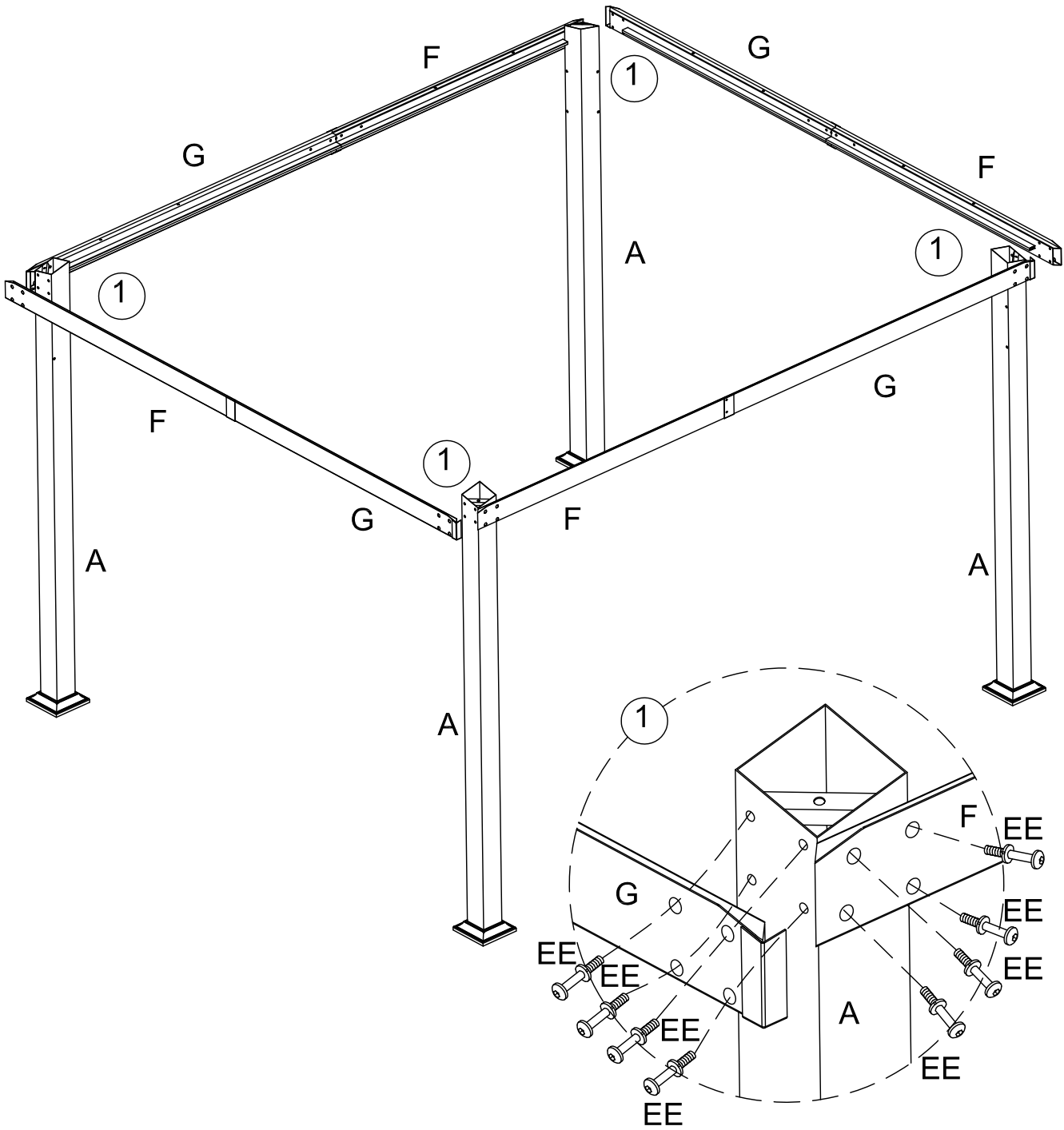


Attention!!
Do not put bolt in this hole, this care refer to a further step.

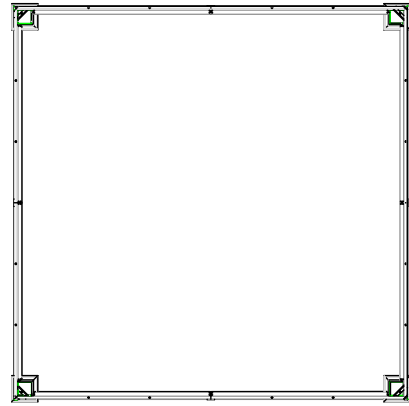
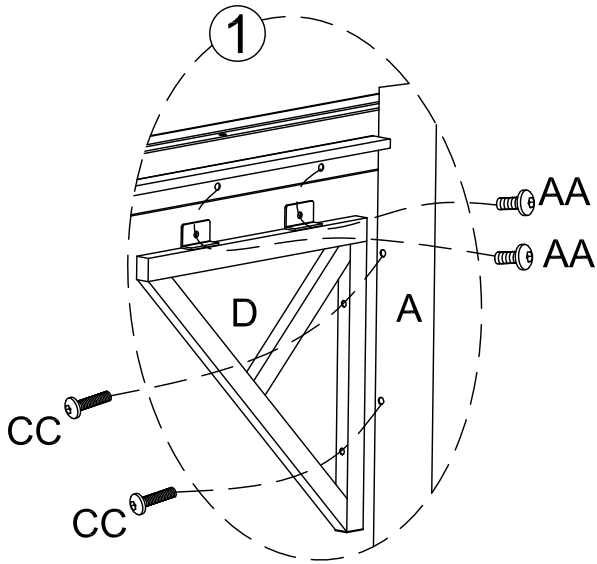
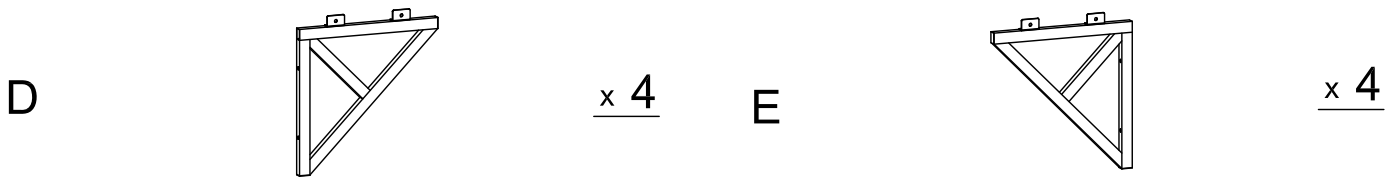


Step 2:

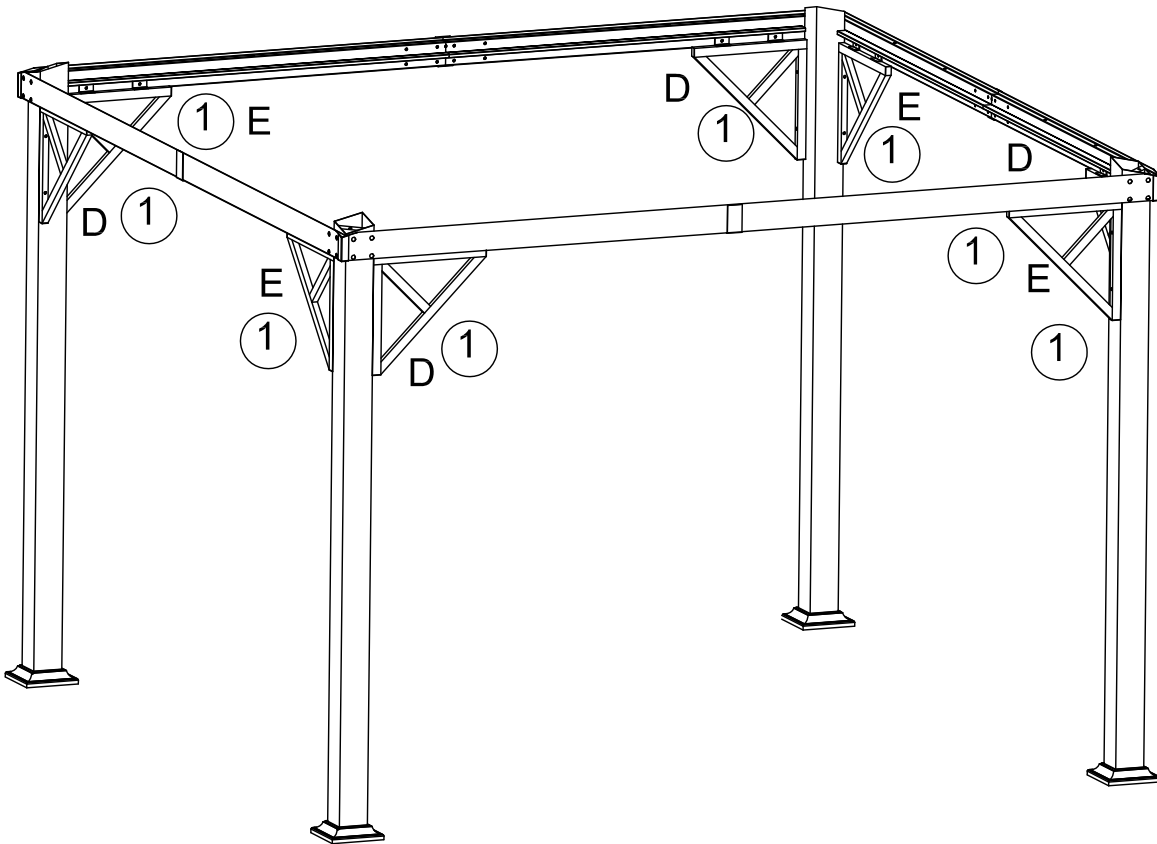
Bolts can be tight completely. Insert the connector (H) into a crossbar (F) with a crossbar (G) as shown in fig. and fix them with bolts (AA). Repeat this step for all crossbars.



Step 3:
 Do not tight the bolts completely yet. Fix the crossbars set (F & G) on two posts (A) by using the bolts (EE). Repeat this step and joint these two assembly with the remaining crossbars (F & G).

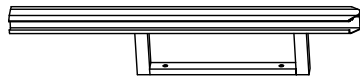


It is important to get square angles in the crossbars corners, so diagonal measurements (X) should be taken on top and bottom of the posts in corners and get the same measurement for all of them. This care refers to get the assembling easier.



Step 4:
 Note: Please check above fig. carefully and make sure all the parts are in the right position. For your security, you may need 4 people for this step.
 Do not tight the bolts completely yet. Fix the right and left braces (D & E) to posts (A) by using the bolts (CC) as shown in fig. 1. Then fix the top of braces (D & E) to the crossbars (F & G) by using the bolts (AA) as shown in fig. 1. Tightening must be done only once all bolts are located. Tight all bolts by following this sequence, lower end of braces then upper end.

L

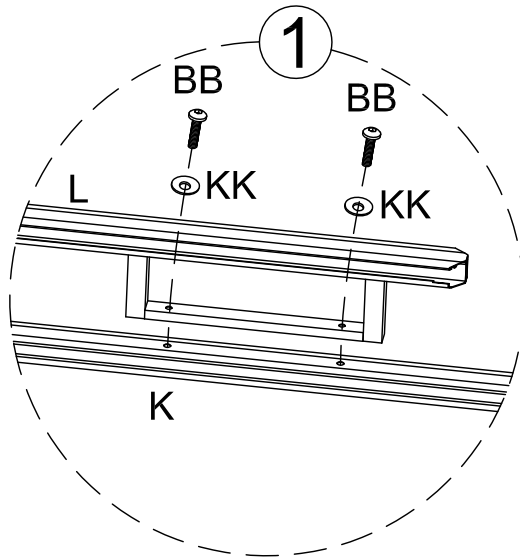
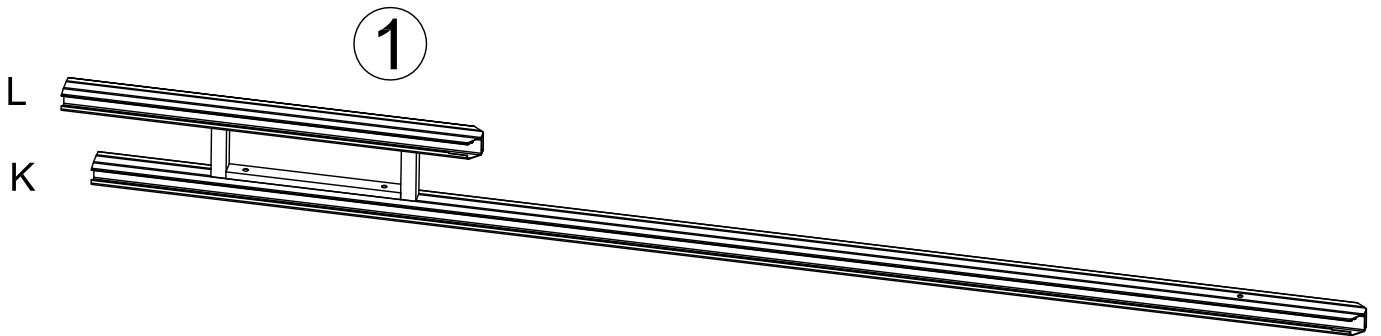


x 4

K

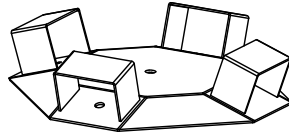


x 4

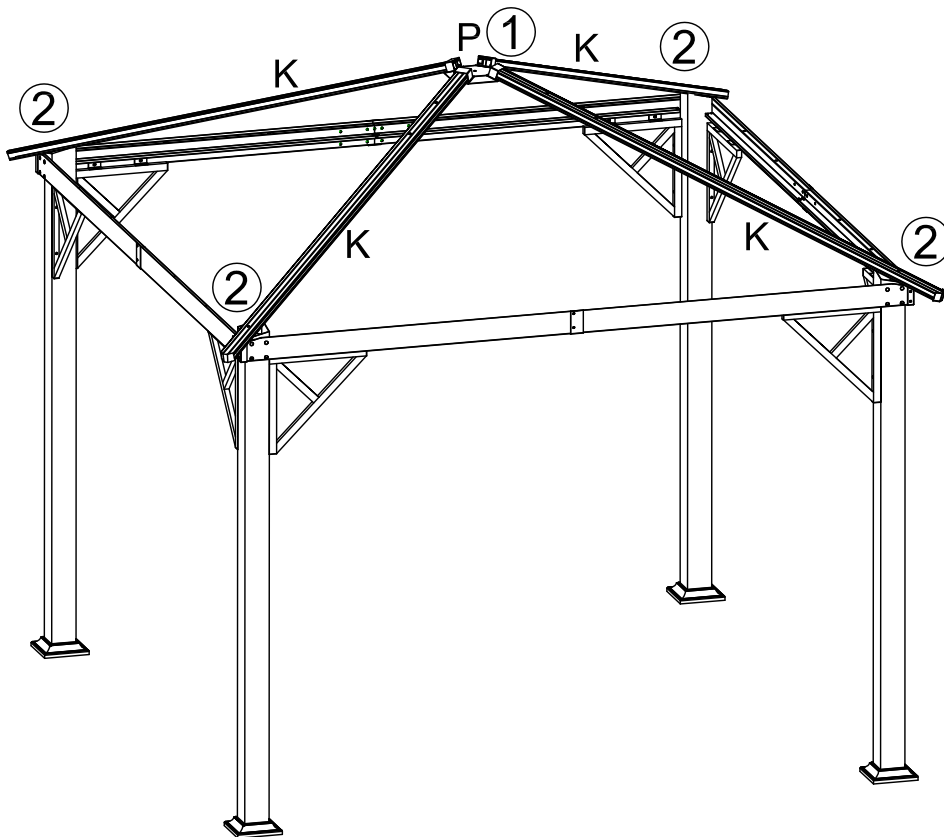
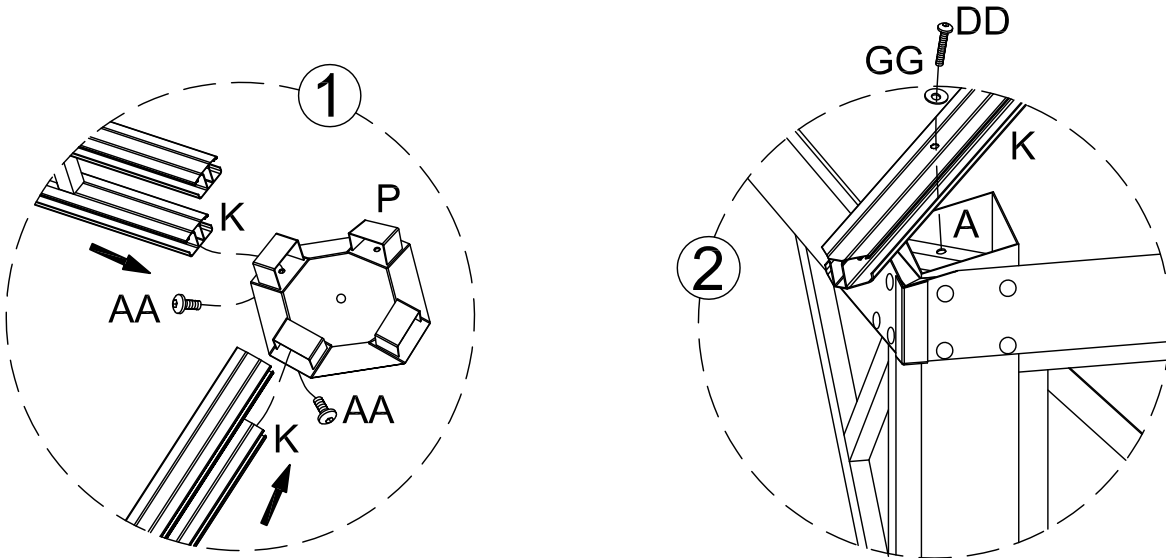


Step 5:
Do not overtight the bolts. Fix the air vent tubing (L) to a corner roof tubing (K) by using the bolts (BB) with steel washers (KK) as shown in fig. 1. Repeat this step for the remaining air vent & corner roof tubing (L & K)

P

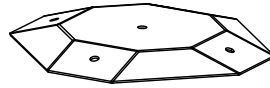


x 1

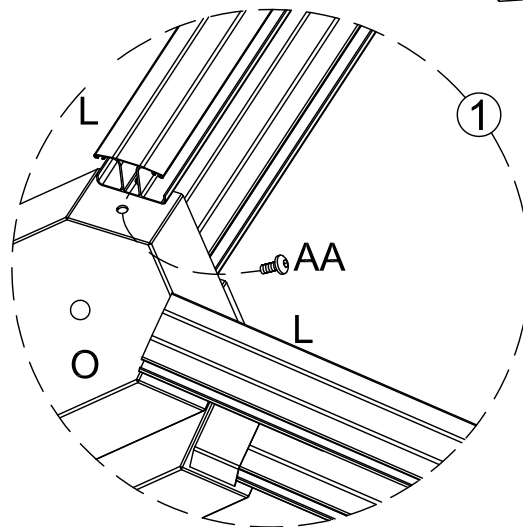
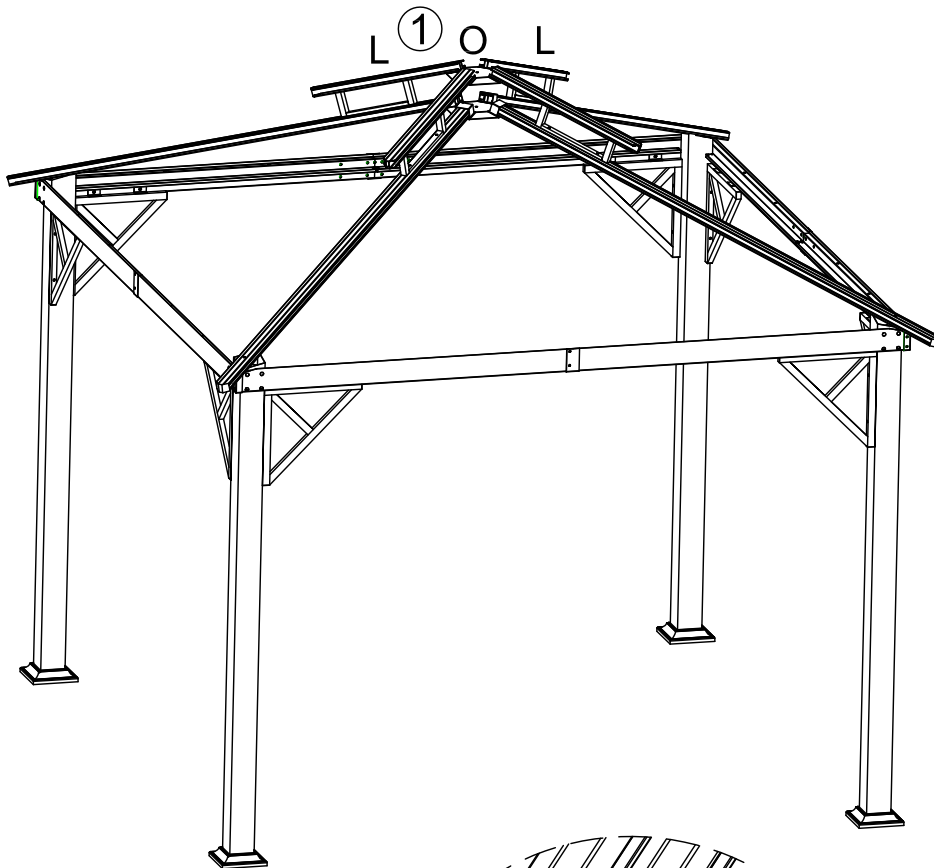


- Step 6:
1. Do not tight the bolts completely yet. Fix the assembled air vent & corner roof tubing (L & K) to roof connector (P) by using the bolts (AA) as shown in fig. 1.
 2. Do not tight the bolts completely yet. Lay down the corner the tubing sets (L, K & P) on top of all corners and fix them by using the bolts (DD) with plastic washers (GG) as shown in fig. 2.

O

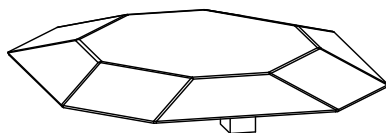


x 1

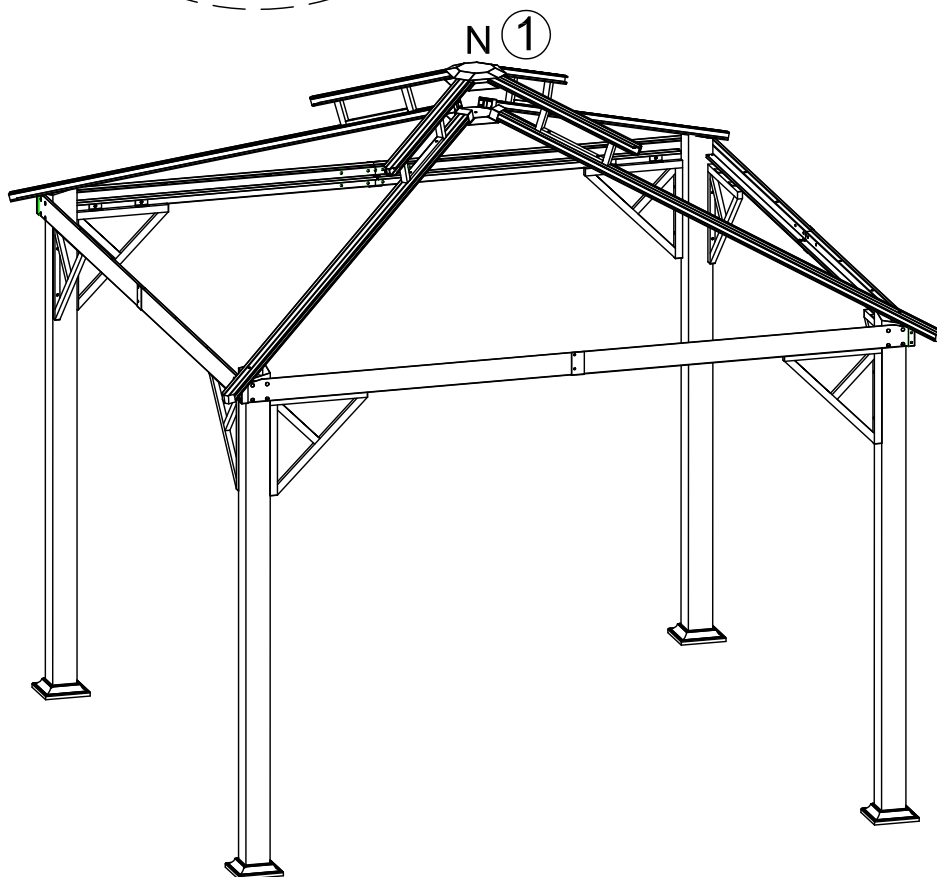
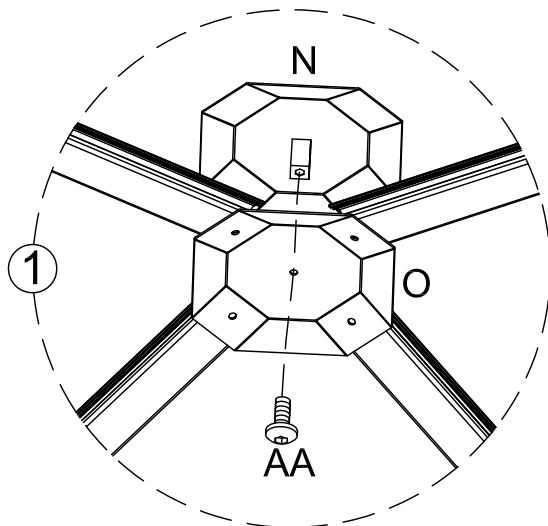


Step 7:
Do not tight the bolts completely yet. Fix the roof middle connector (O) on the air vent roof tubing (L) by using the bolts (AA) as shown in fig. 1.

N

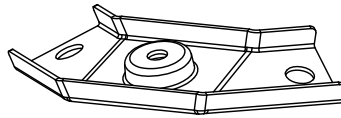


x 1



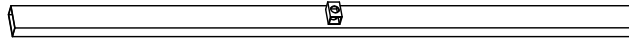
Step 8:
Bolt can be tight completely. Insert a bolt (AA) through the middle connector (O) and fix with roof cap (N) as shown in fig.

Q

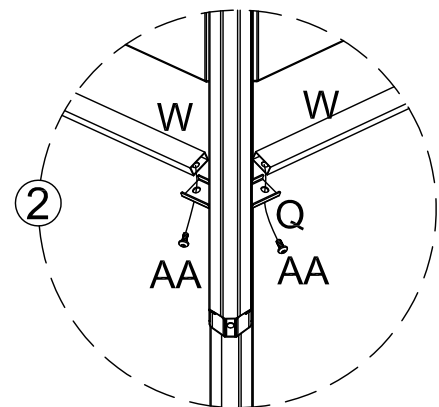
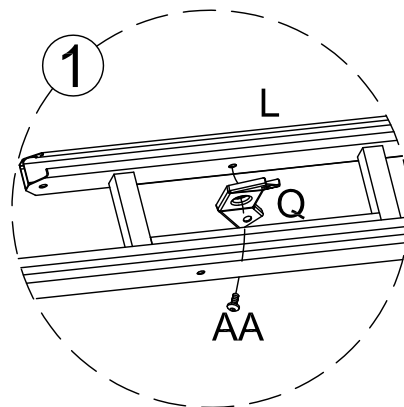
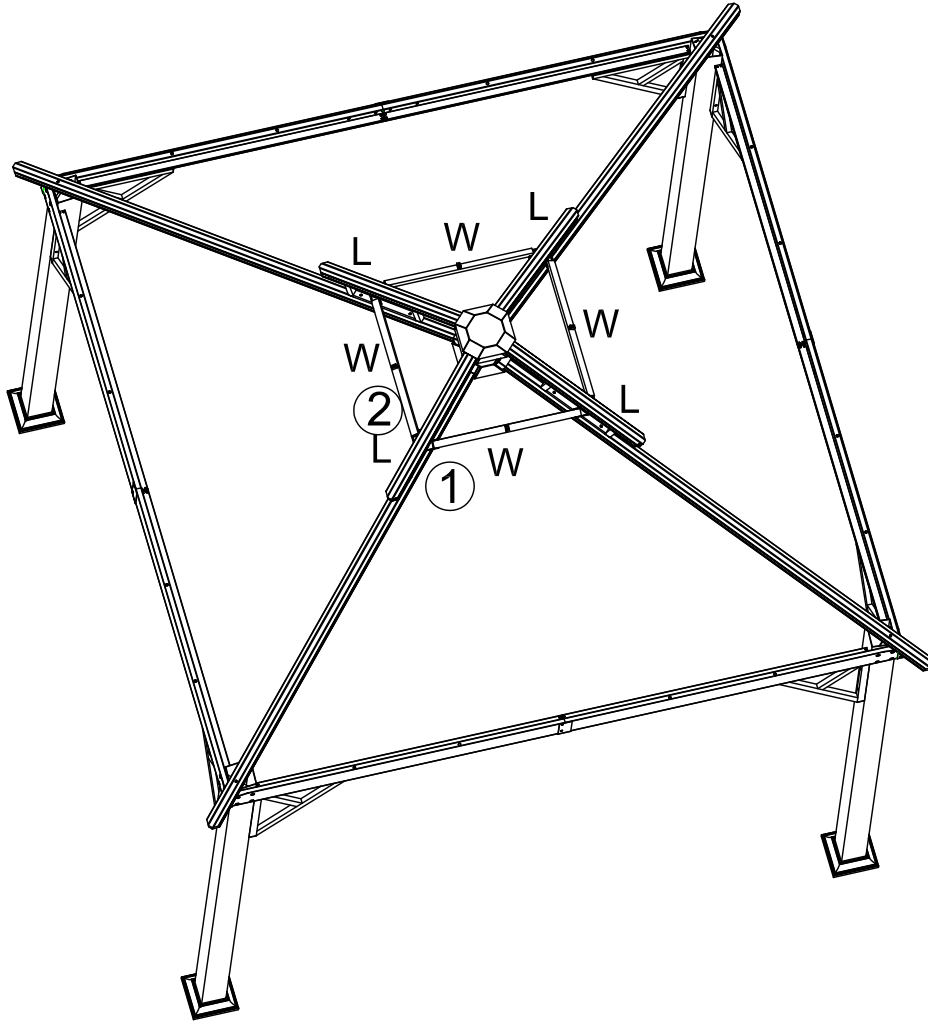


x 4

W

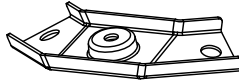


x 4



- Step 9:
1. Do not tight the bolts completely yet. Fix corner connectors (Q) on the air vent roof tubing (L) by using the bolts (AA).
Align the parts in the same position as shown in fig 1.
 2. Do not tight the bolts completely yet. Fix the air vent support tubing (W) on the corner connectors (Q) by using the bolts (AA) as shown in fig 2.

Q

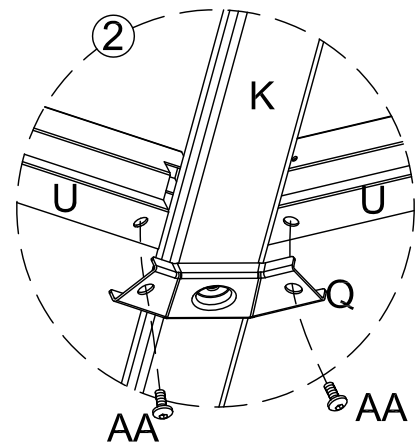
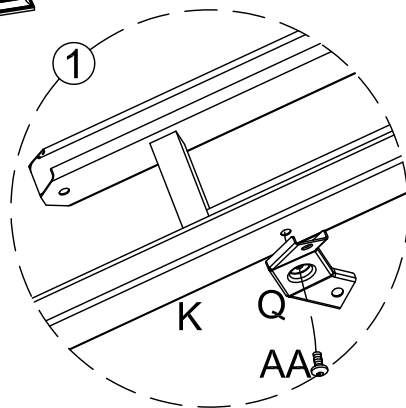
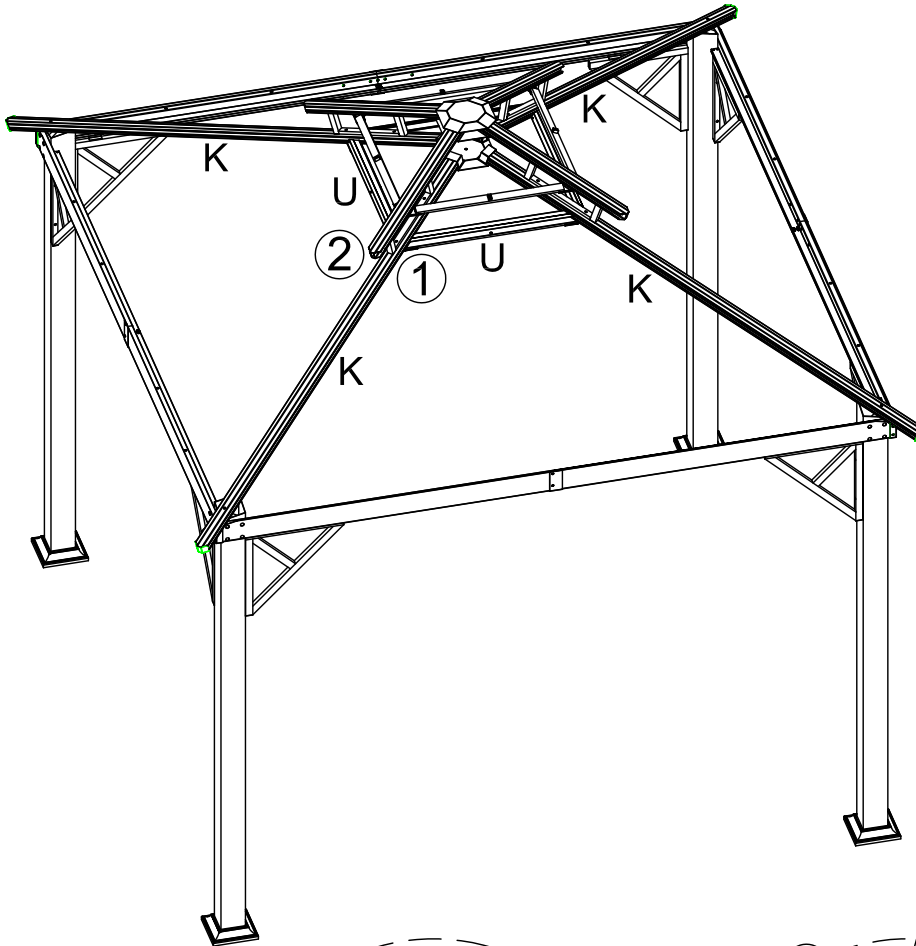


x 4

U



x 4



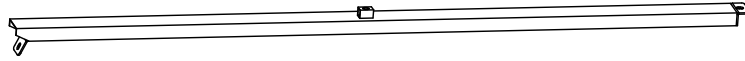
Step 10:

1. Do not tight the bolts completely yet. Fix corner connectors (Q) on the corner roof tubing (K) by using the bolts (AA).

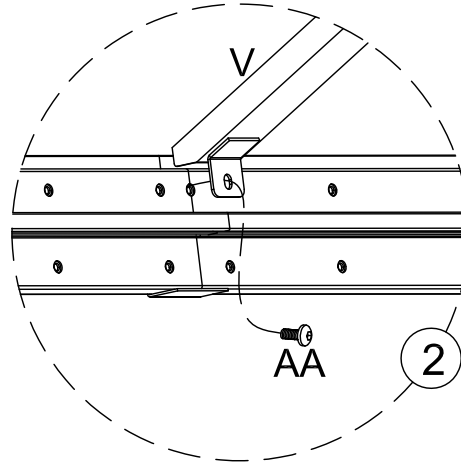
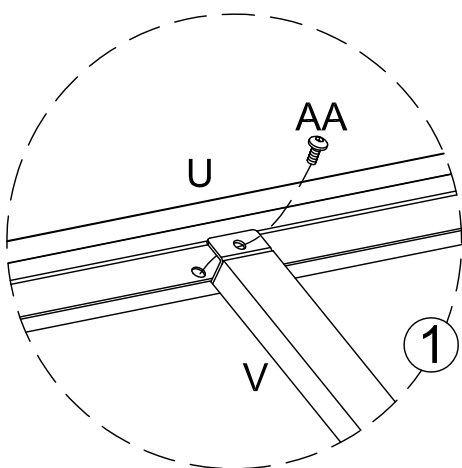
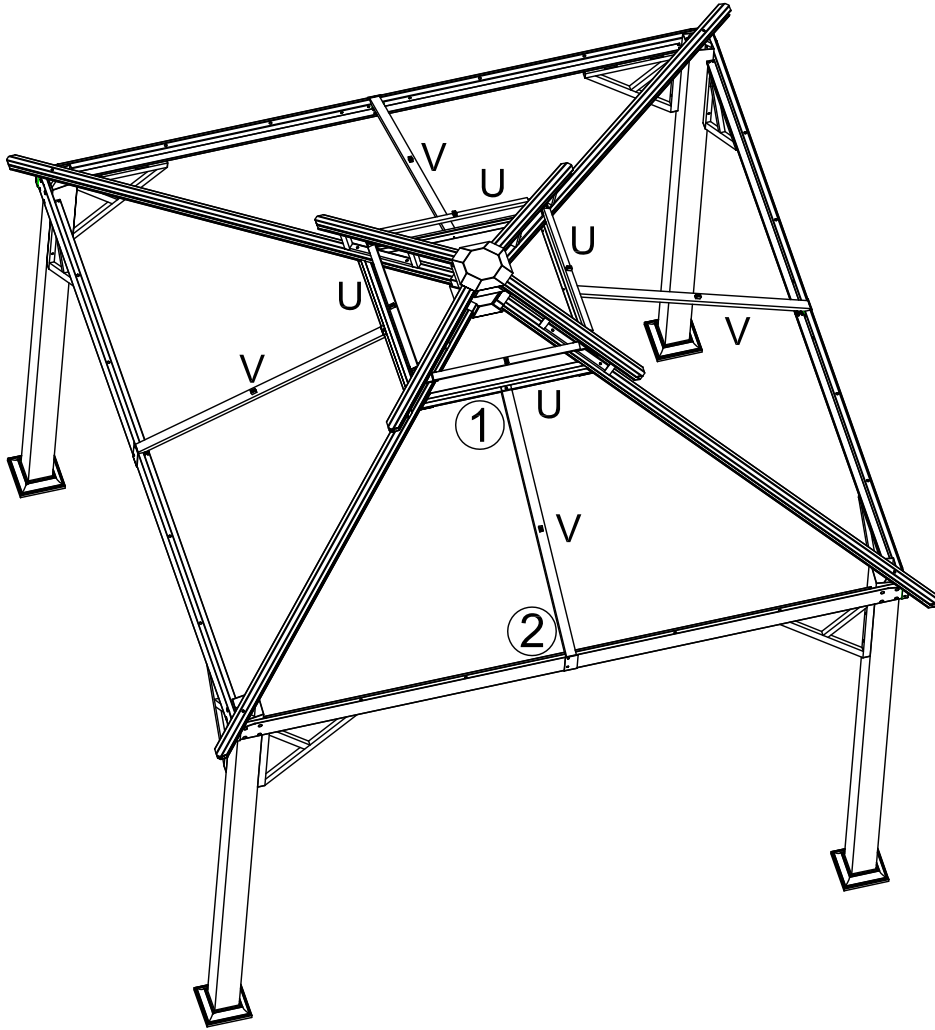
Align the parts in the same position as shown in fig. 1.

2. Do not tight the bolts completely yet. Fix the off profiles (U) on the corner connectors (Q) by using the bolts (AA).

V

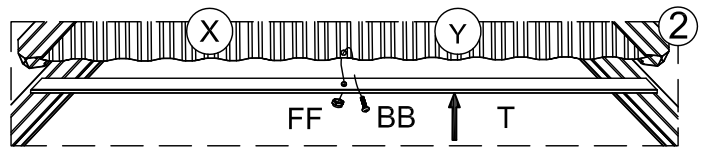
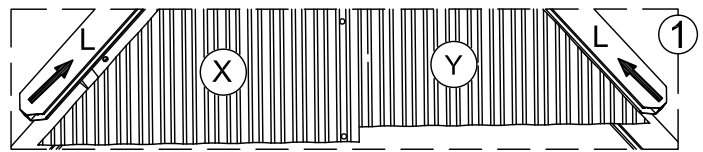
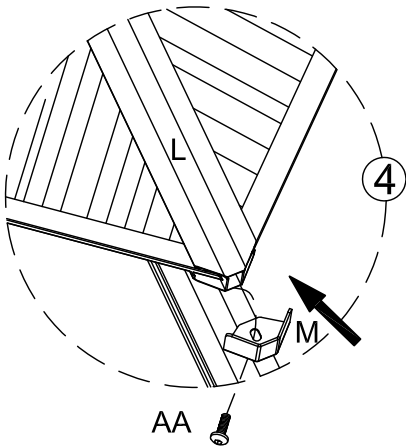
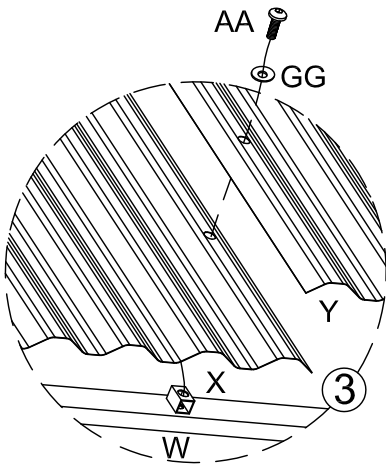
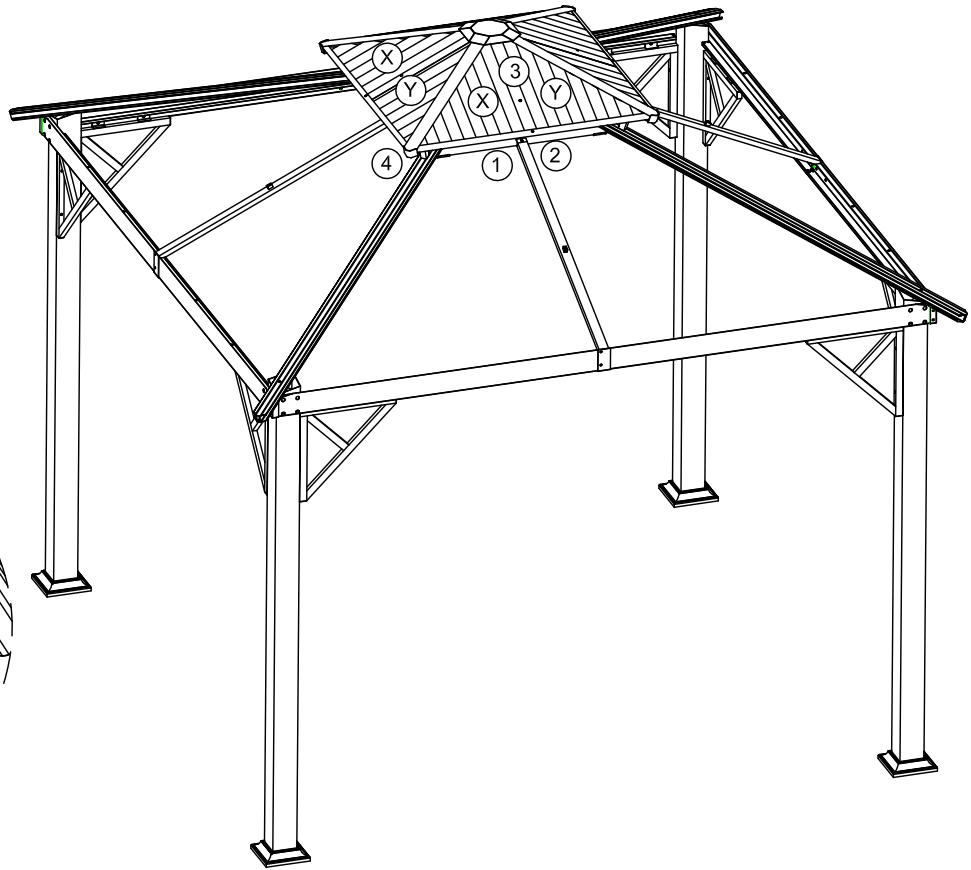
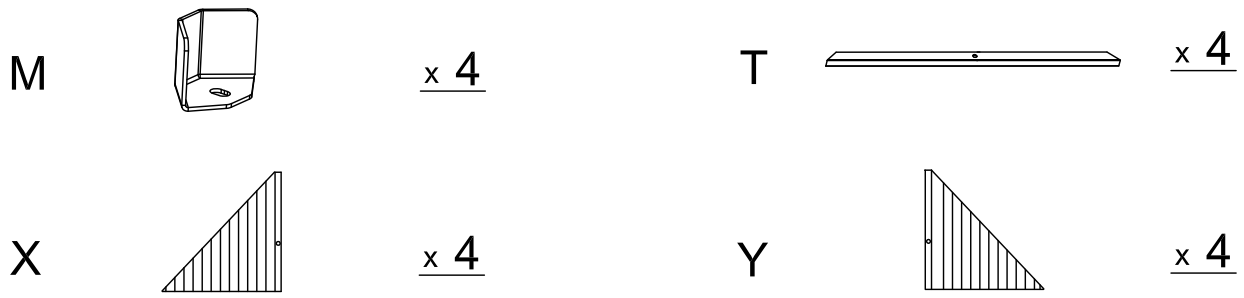


x 4



Step 11 :

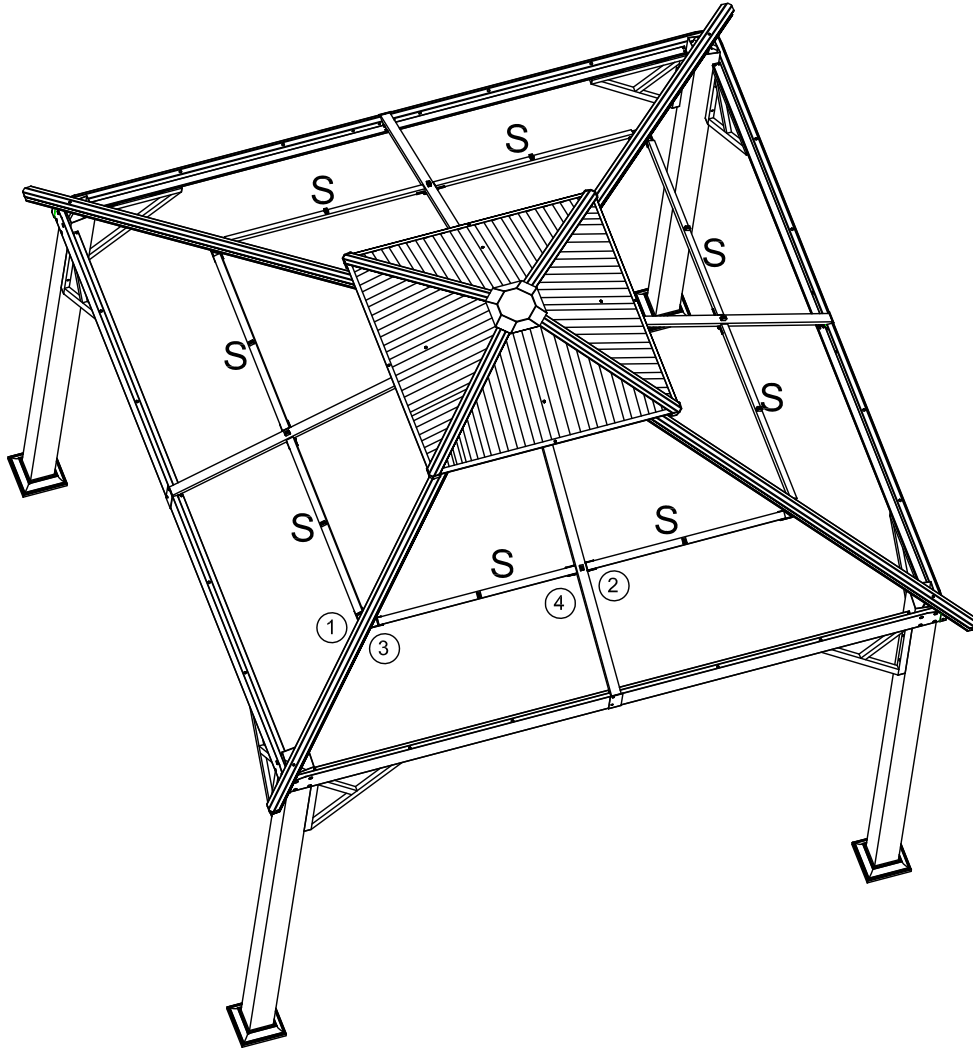
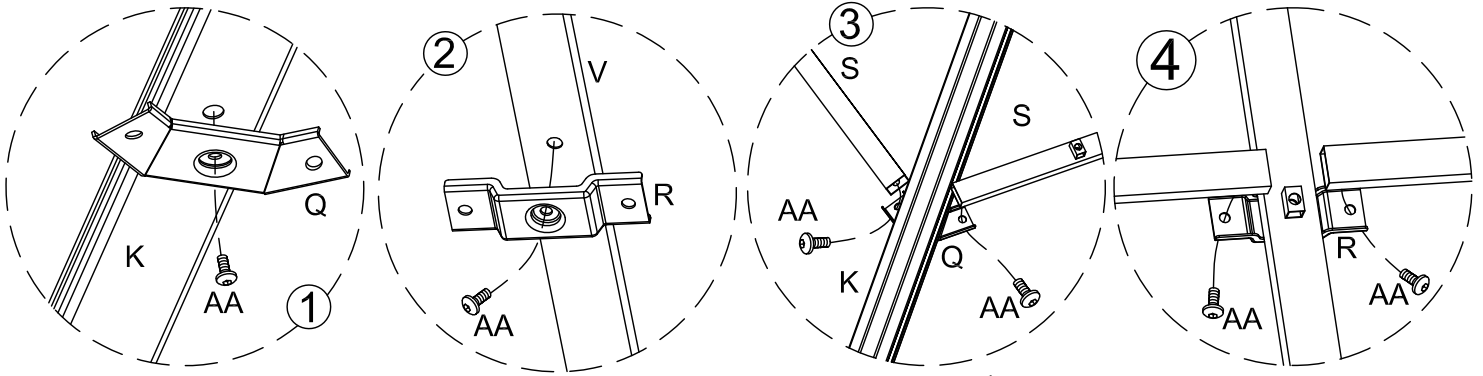
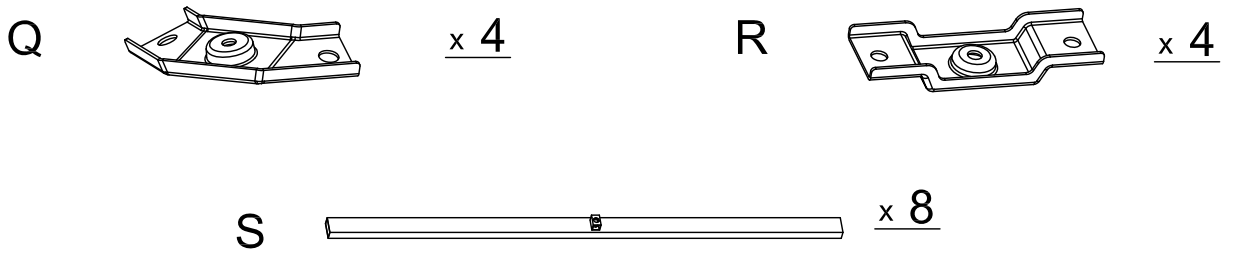
Do not tight the bolts completely yet. Fix the middle support tubing (V) on the roof profiles (U) by using the bolts (AA) as shown in fig. 1. Then fix to the crossbars (F & G) by using the bolts (AA) as shown in fig. 2.



Step 12:

Notes: Please do the steps simultaneously & install clockwise to prevent the panels sliding off.

1. Do not tight the bolts completely yet. Lay down air vent panels (X & Y) on top of the gazebo and under the roof cap (N) and insert in the air vent tubing (L) groove. The air vents panels (X & Y) need to overlap each other. Use the bolts (AA) with plastic washers (GG) to fix the air vent panels (X & Y) onto the roof supports tubing (W) as shown in fig 1 & 3. Then insert air vent profiles (T) at the end as shown in fig. 2. And fix with bolts (BB) with nuts (FF) as shown in fig. 2
2. Do not tight the bolts completely yet. Insert bolts (AA) through the corner moldings (M), fix with the air vent tubing (L) as shown in fig. 5. Repeat those steps for the remaining 3 sides. Then Bolts can be tightened completely.



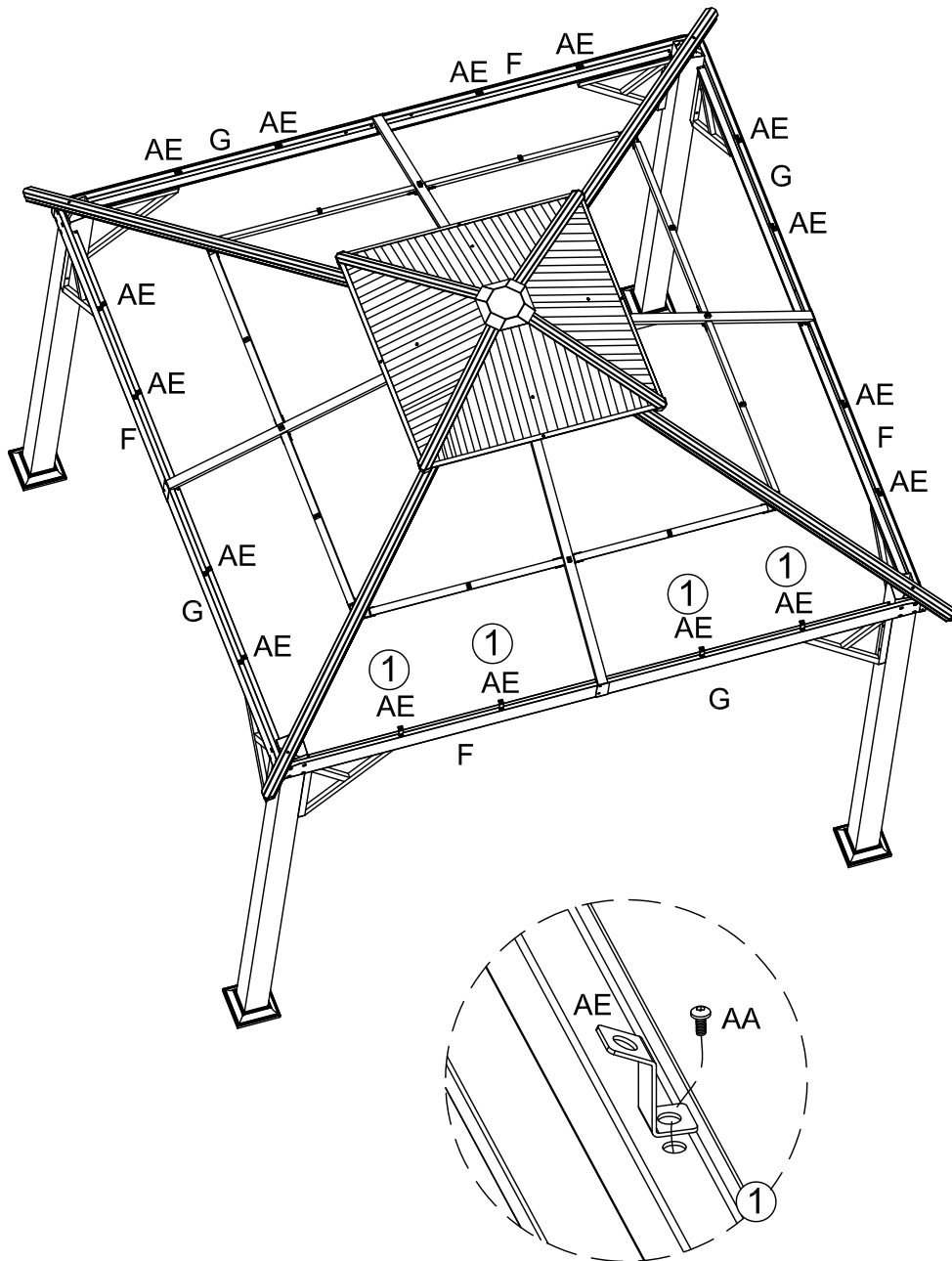
Step 13:

1. Do not tight the bolts completely yet. Fix the corner connectors (Q) on the corner roof tubing (K) by using the bolts (AA). Align the parts in the same position as shown in fig. 1.
2. Do not tight the bolts completely yet. Fix the middle connectors (R) on the middle support tubing (V) by using the bolts (AA). Align the parts in the same position as shown in fig. 2.
3. Do not tight bolts completely yet. Fix the roof support tubing (S) on the corner and middle connectors (Q & R) by using the bolts (AA).

AE

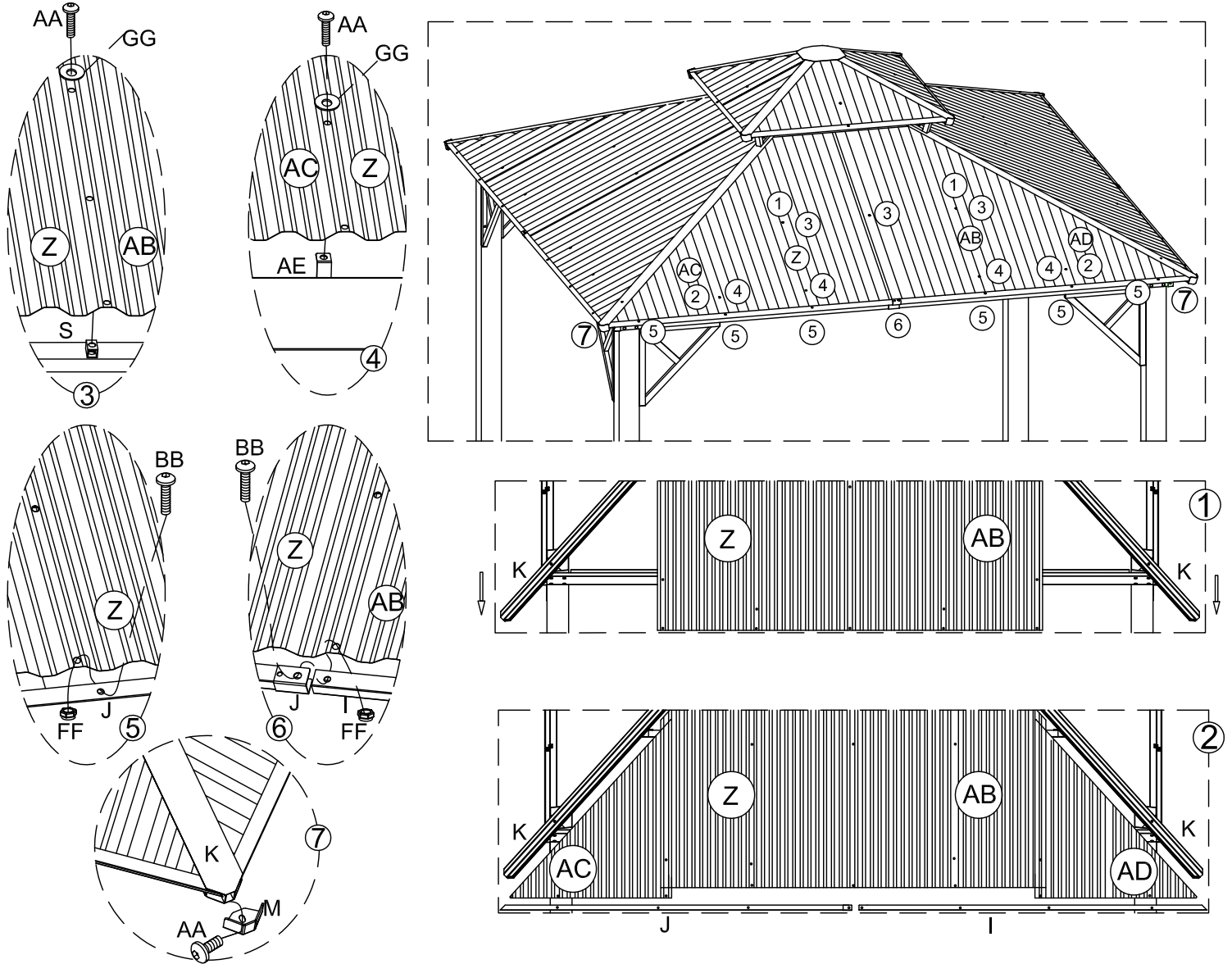
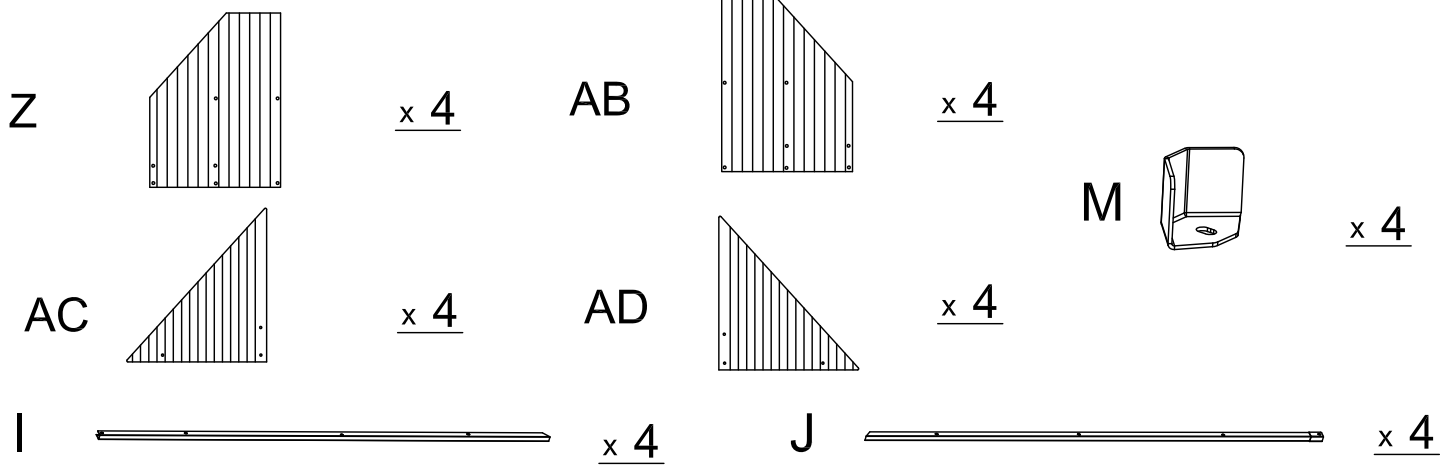


x 16



Step 14:

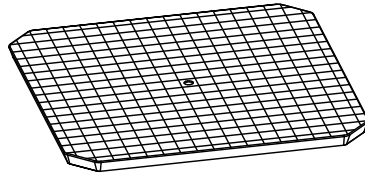
Do not tight the bolts completely yet. Insert bolts (AA) through brackets (AE) and fix them on the crossbars (F & G) as shown in fig. 1.



Step 15:

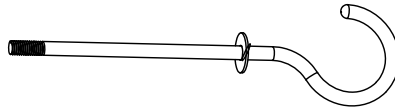
1. Do not tighten the bolts completely yet. From left to right, lay down roof panels (AC, Z, AB & AD) on the middle support tubing (V), under the roof profile (U) and corner roof tubing (K) groove. Note all the roof panels need to overlap each other. Use the bolts (AA) with plastic washers (GG) to fix onto the roof support tubing (S) & brackets (AE) as shown in fig. 1, 2, 3 & 4.
2. Do not tighten the bolts completely yet. Insert eave profiles (I & J) at the bottom of the panels as shown in fig 2. Fix with the bolts (BB) with nuts (FF) as shown in fig. 5 & 6.
3. Bolts can be tightened completely. Finally, insert the bolts (AA) through the corner moldings (M) and fix them to the corner roof tubing (K) as shown in fig. 7.
Repeat the steps 1 to 4 for the remaining 3 sides.

AG

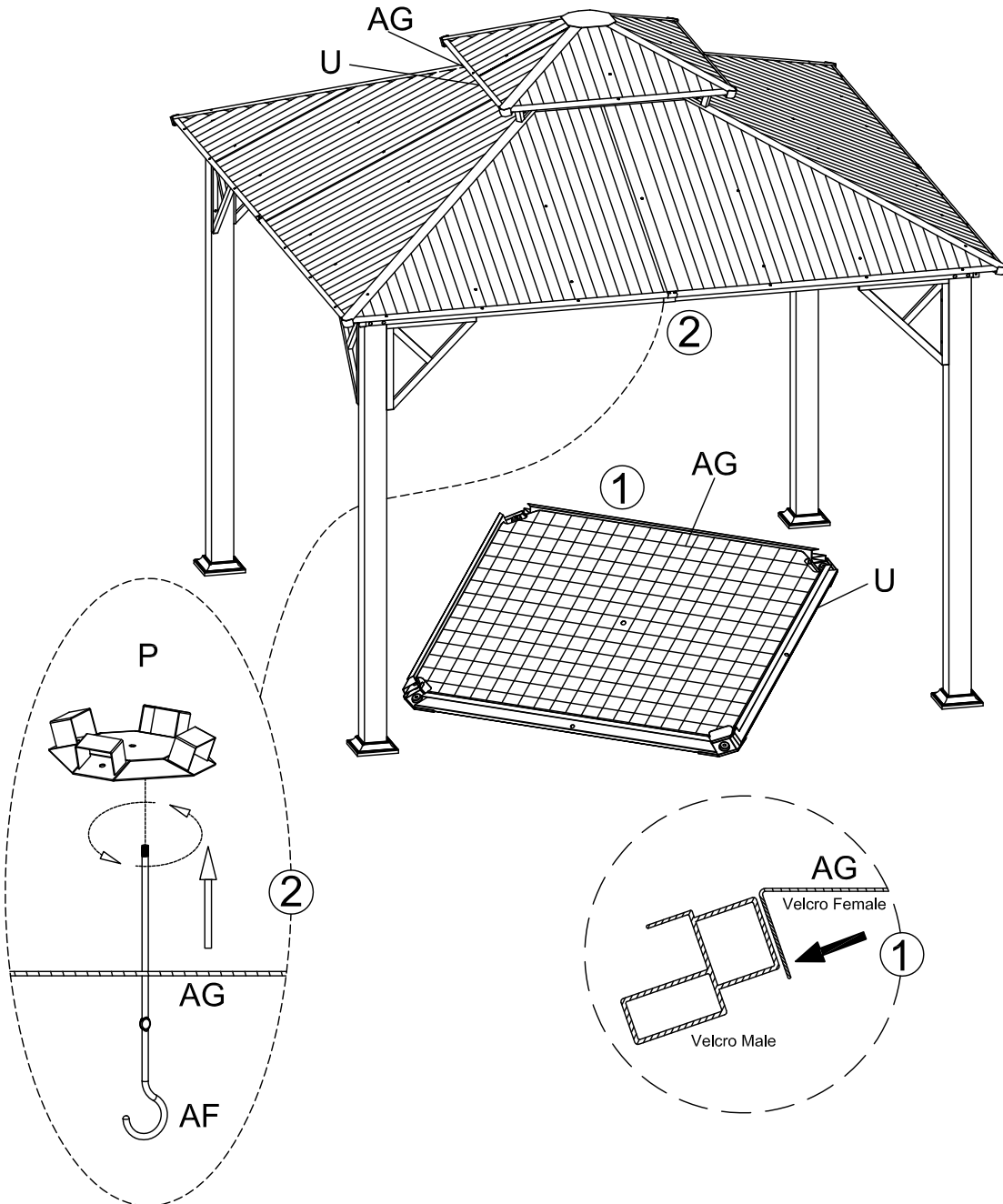


x1

AF

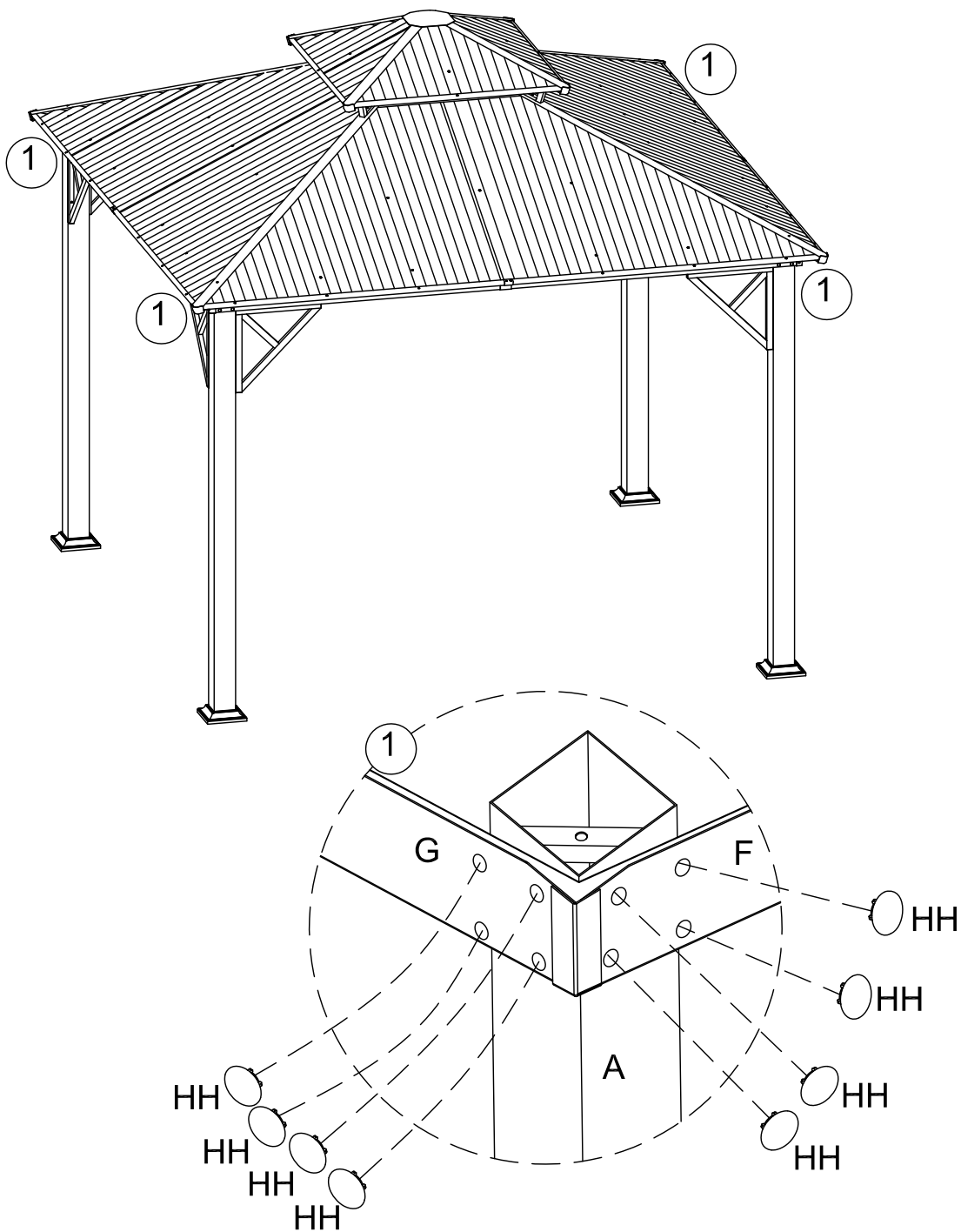
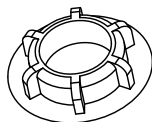


x1



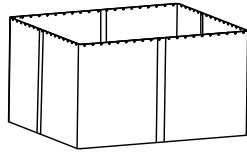
Step 16:

1. Install the air vent mosquito net (AG) on the roof profiles (U) by fitting the Velcro properly as shown in fig. 1.
2. Insert the hook (AF) through air vent mosquito net (AG) and tight the hook in the roof connector (P) as shown in fig. 2.

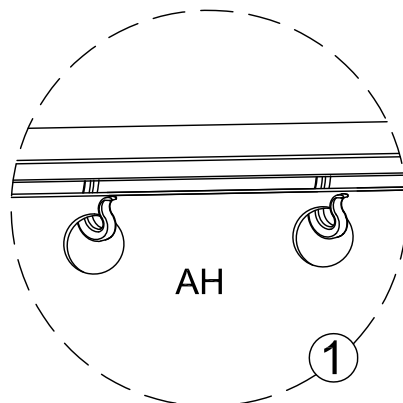
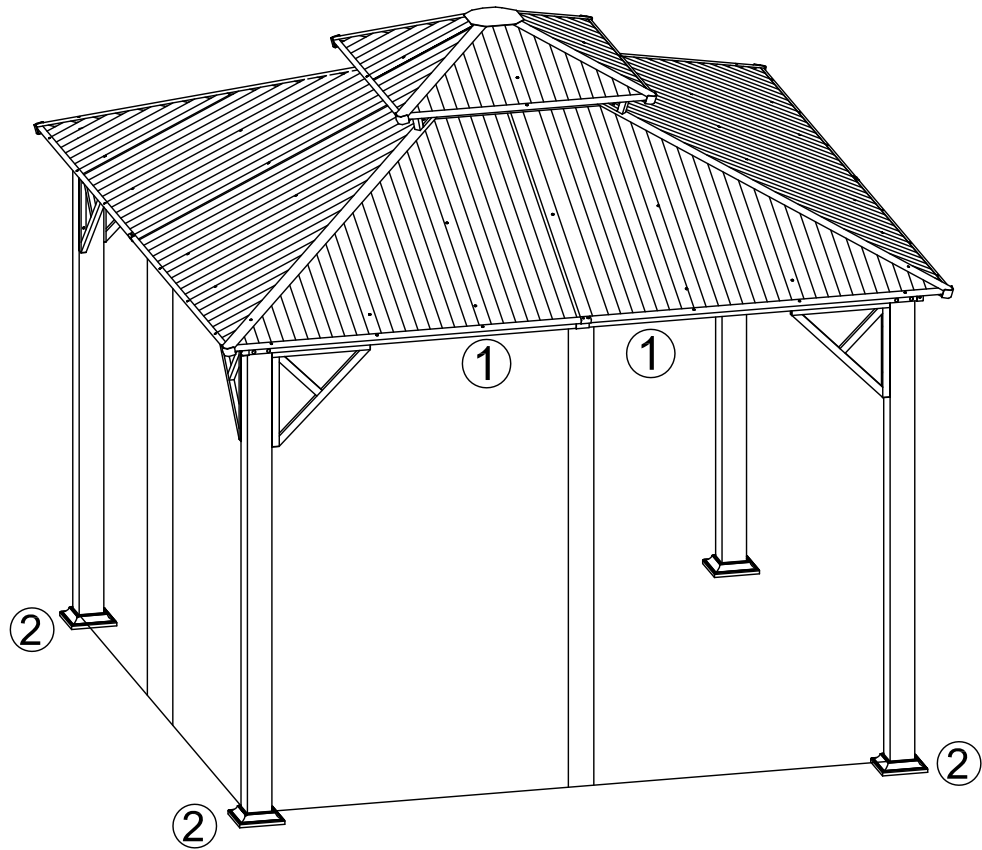


Step 17:
 1. Tighten all remaining loose bolts.
 2. Install the plastic caps (HH) as shown in fig. 1.

AH



x1



Step 18:

1. Hang the mosquito net (AH) on the hooks properly.
2. Depending on the ground surface, use proper anchoring devices. Anchors not supplied.
3. Remove all gazebo assembling stickers.

Please ensure posts and ground are level & perpendicular with each other once the unit is assembled.
We wish you a pleasant moment with your new Corriveau gazebo!