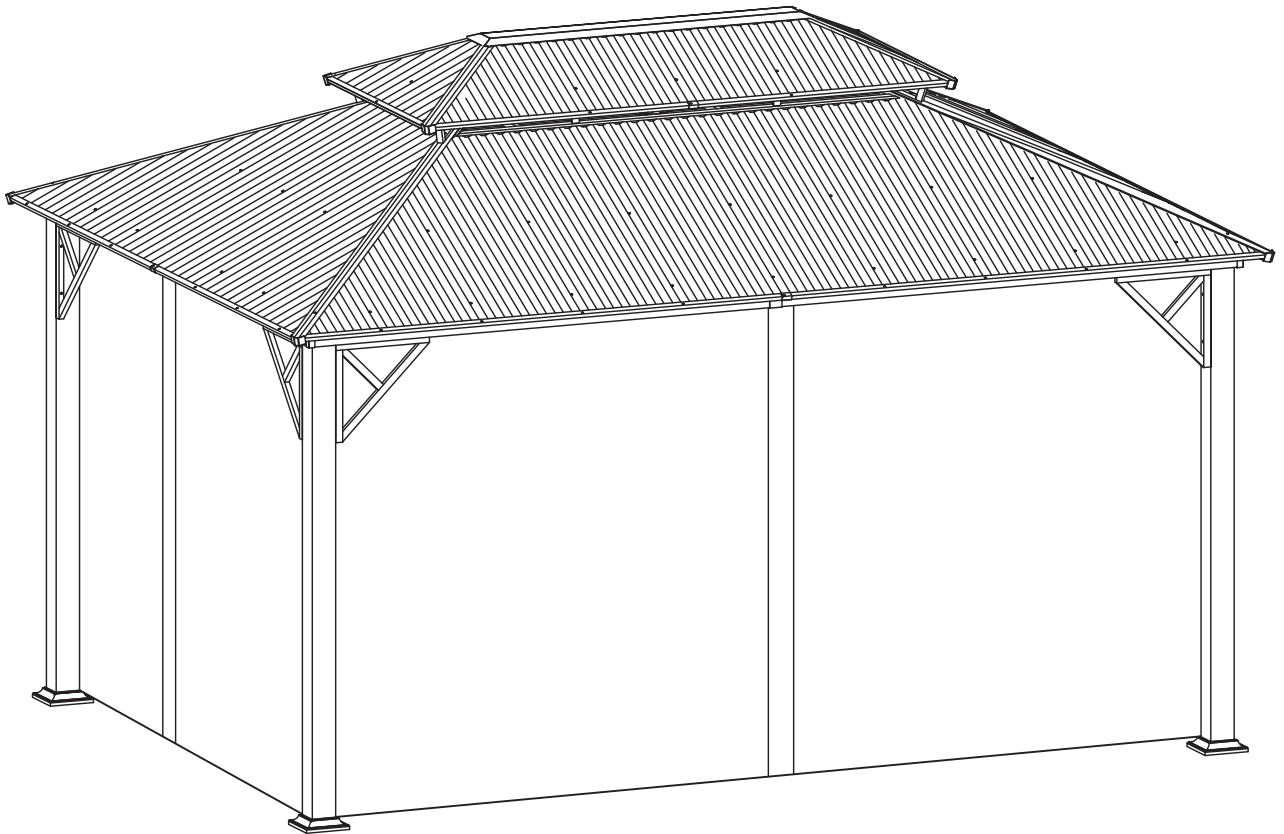


Metropolis gazebo 10' x 14' B101440 (2022)

## Assembly Instructions



MEUBLES DE JARDIN  
**CORRIVEAU**  
OUTDOOR FURNITURE

# Important notice

Please read and follow all safety statements, warnings, assembly instructions, use & care directions before attempting to assemble. Each of the recommendations must be followed to ensure the utmost solidity.

## Security Rules

Warning:

Keep flame and heat sources away from the gazebo fabric. The fabric may burn or melt at direct contact or prolonged exposure with a source of heat. The application of any foreign substance to the gazebo fabric may affect the flame retardant properties.

## Regulation

It is the responsibility of the consumer being in accordance with city regulation, construction code, zoning or any limitations and obtaining permit prior assembling the gazebo.

## Recommendation

- When assembling and using this product, basic safety precautions should always be followed to reduce the risk of personal injury and damage to parts.
- Do not use the gazebo during extreme weather conditions.
- Before beginning assembly of product, make sure all parts are present. Compare parts with package contents list. If any part is missing or damaged, do not attempt to assemble the product.
- Some parts may contain sharp edges. Use of protective gloves is always recommended.
- When installing and assembling your gazebo, it is recommended that 2 or more adults are involved.
- Considering at least 5 hours to complete installation, even well anchored, a gazebo unit that is not finished assembly can get or create damages to nearby environment.
- Verify that all nuts and bolts are tightly secured before and during use period.
- Use proper tools and equipment for a safe and compliant installation. Never climb, sit or stand on structure while assembling.

- Although this gazebo is built for all year round, the snow must be removed from the roof.
- Mosquito net and curtains (optional) must be removed from the unit in freezing period.
- Anchoring bolts or other anchoring devices are not supplied.
- Keep away from any electric installation or transportation device.
- Always recommended to keep assembly manual for further reference.

## Care

Avoid using a pressure washer. The use of a mild soap with warm water is the best solution for the frame only. A clear water rinse is necessary then. Never use soap on fabric, this will reduce their durability, consequently their lifespan and general look. The use of a soft brush and warm water are an excellent solution for cleaning the fabric.

## Warranty

### Covered

We warrant the frame and fabric to be free of manufacturing defects to the original purchaser for one year.

### Not covered

This warranty does not cover commercial use, lack or improper care, neglected storage, vandalism, chemical, acts of nature, fire, oxidation, stains, freeze damage, improper packaging for return and unreasonable or abusive use. Normal discoloration and build-up snow damages are not covered either.

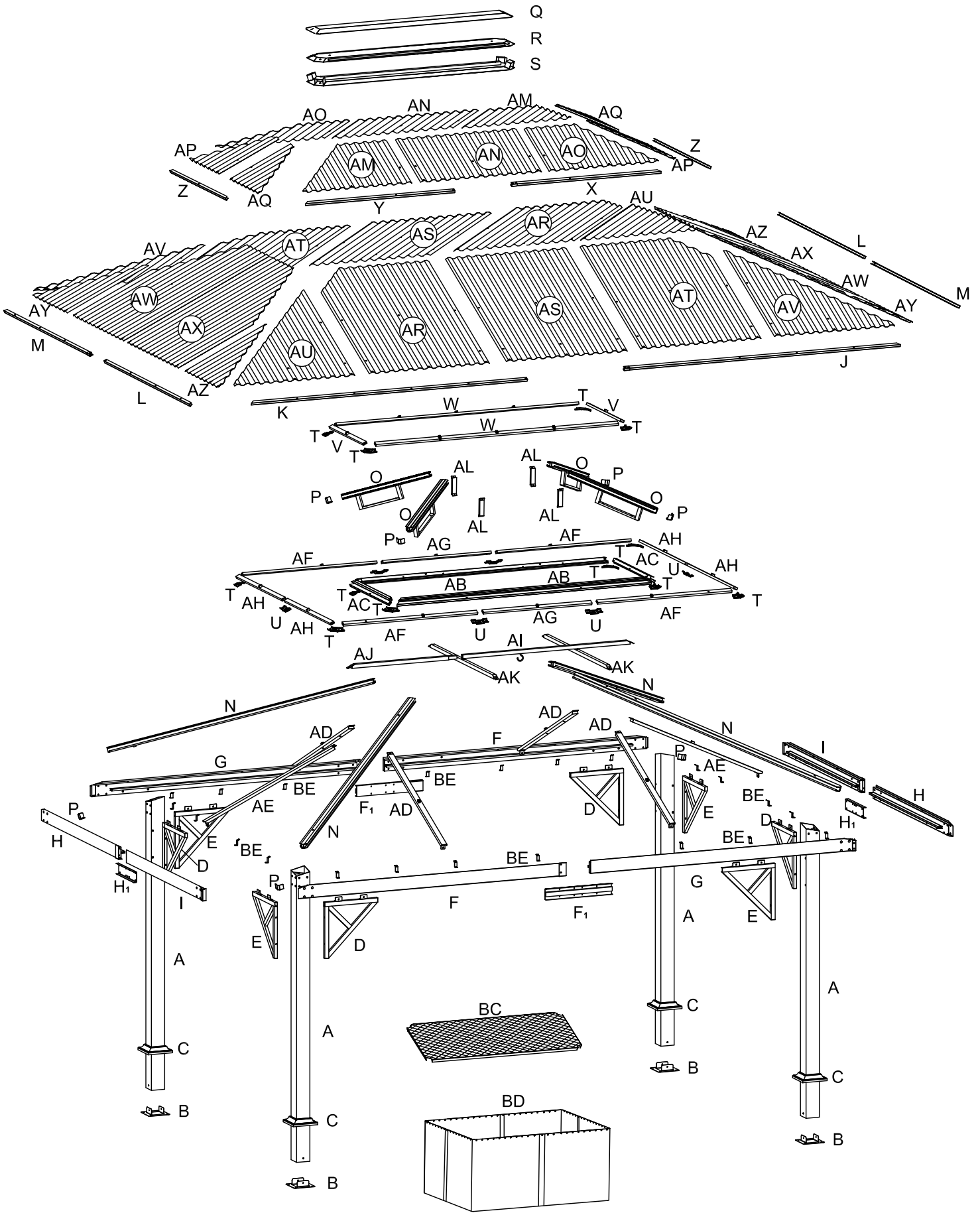
## Customer service:

### Consumer

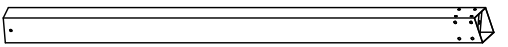
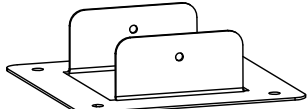
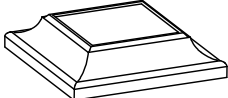
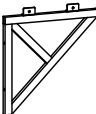
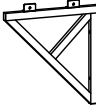

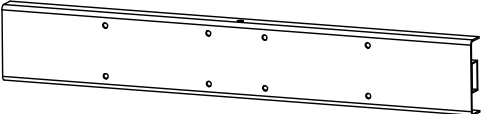


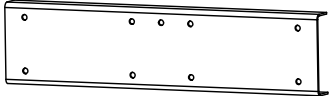




For each part request, please contact your retailer with a description of the problem, pictures and consumer invoice copy, to ensure the proper information to be proceed.



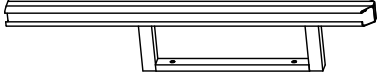


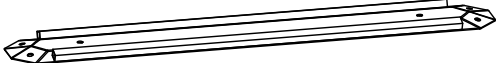

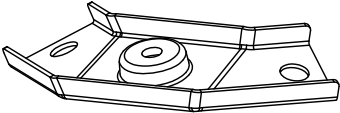
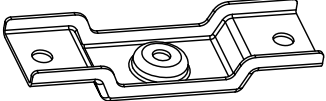
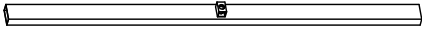
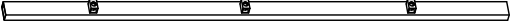



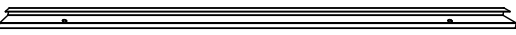
### Seller

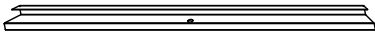


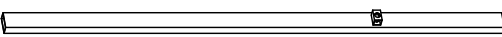

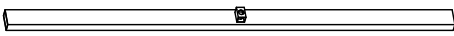


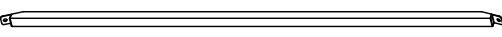

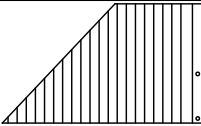
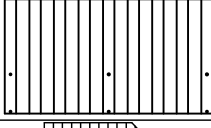
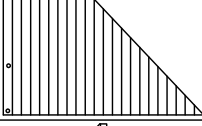
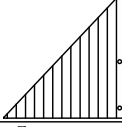

In addition to all the information already provided by the consumer, any parts requested must mention the person responsible for the client's file, the retailer name, address, branch if applicable, e-mail address, fax and phone number.

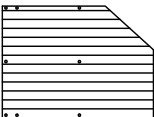
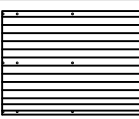
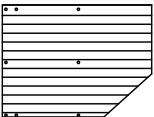
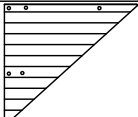
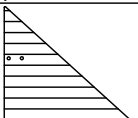
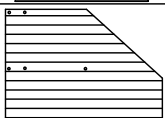
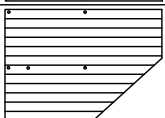
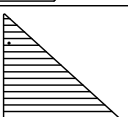
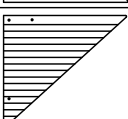
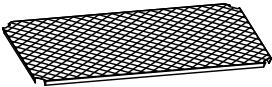
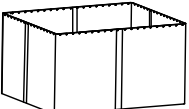



# PARTS LIST:

NO.	Description	Qty	Sketch
A	Post	4	
B	Base flange	4	
C	Base cap	4	
D	Left brace	4	
E	Right brace	4	
F	Long crossbar	2	
F <sub>1</sub>	Connector	2	
G	Long crossbar	2	
H	Short crossbar	2	
H <sub>1</sub>	Connector	2	
I	Short crossbar	2	
J	Eave profile	2	
K	Eave profile	2	
L	Eave profile	2	

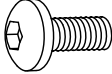
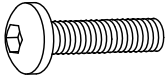
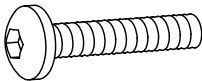
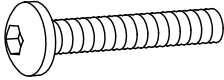
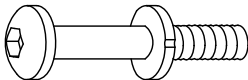
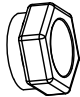
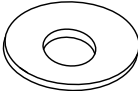
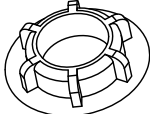


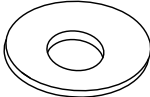
NO.	Description	Qty	Sketch
M	Eave profile	2	
N	Corner roof tube	4	
O	Air vent roof tube	4	
P	Corner connector	8	
Q	Roof cap	1	
R	Middle connector	1	
S	Roof connector	1	
T	Corner connector	12	
U	Middle connector	6	
V	Roof support tube	2	
W	Roof support tube	2	
X	Air vent profile	2	
Y	Air vent profile	2	
Z	Air vent profile	2	
AB	Roof profile	2	

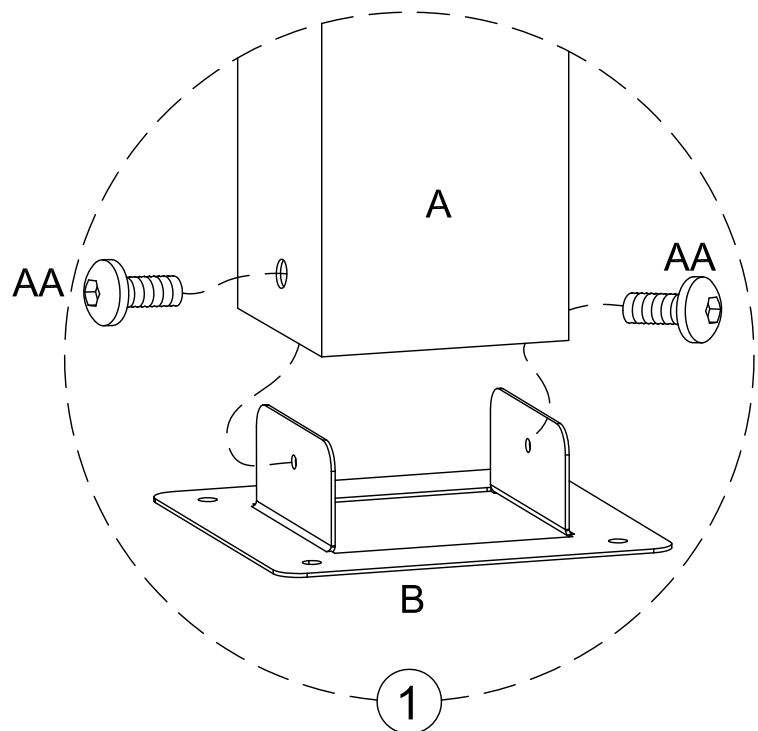
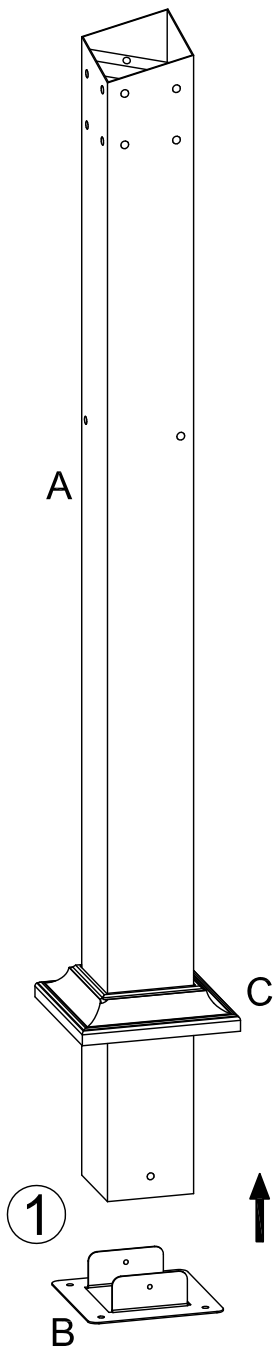
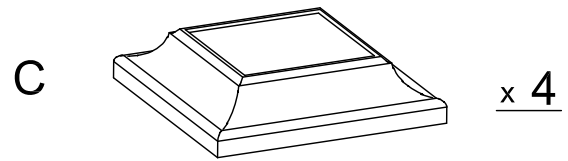
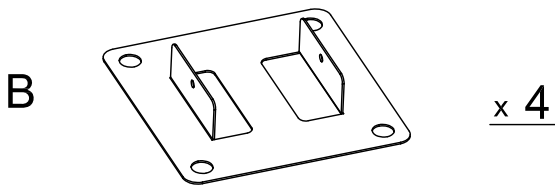
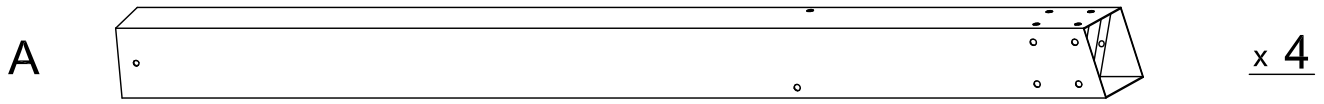
NO.	Description	Qty	Sketch
AC	Roof profile	2	
AD	Middle support tube	4	
AE	Middle support tube	2	
AF	Roof support tube	4	
AG	Roof support tube	2	
AH	Roof support tube	4	
AI	Upper roof support tube	1	
AJ	Upper roof support tube	1	
AK	Upper roof support tube	2	
AL	Air vent support tube	4	
AM	Air vent panel	2	
AN	Air vent panel	2	
AO	Air vent panel	2	
AP	Air vent panel	2	
AQ	Air vent panel	2	

NO.	Description	Qty	Sketch
AR	Left roof panel for 14' side	2	
AS	Middle roof panel for 14' side	2	
AT	Right roof panel for 14' side	2	
AU	Left roof panel for 14' side	2	
AV	Right roof panel for 14' side	2	
AW	Middle panel for 10' side	2	
AX	Middle panel for 10' side	2	
AY	Left roof panel for 10' side	2	
AZ	Right roof panel for 10' side	2	
BC	Air vent mosquito net	1	
BD	Mosquito net	1	
BE	Bracketnet	22	

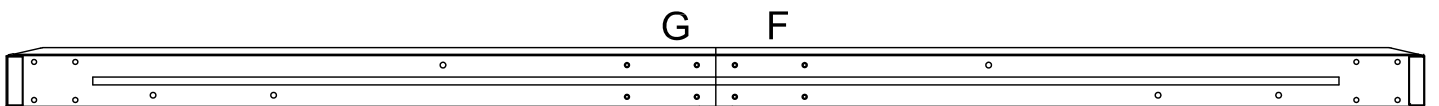
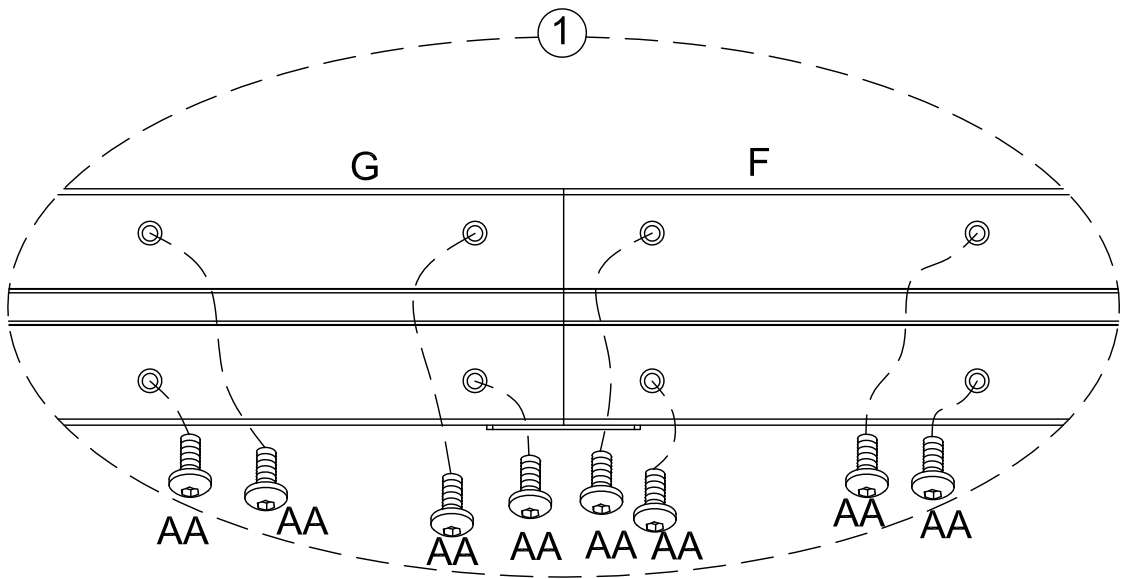
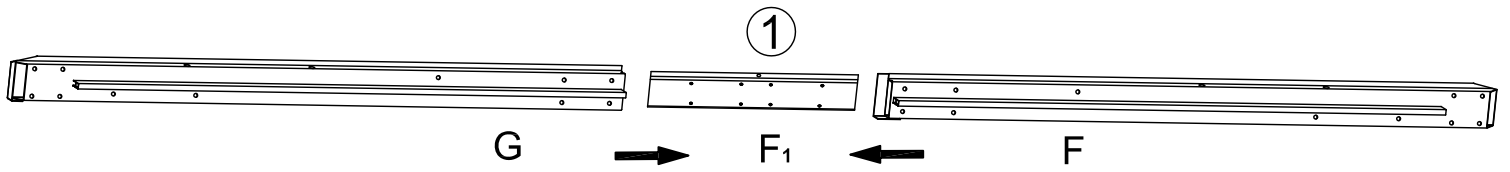
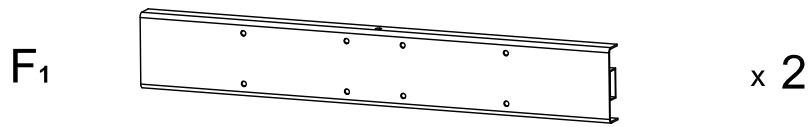


# Hardware Kit:

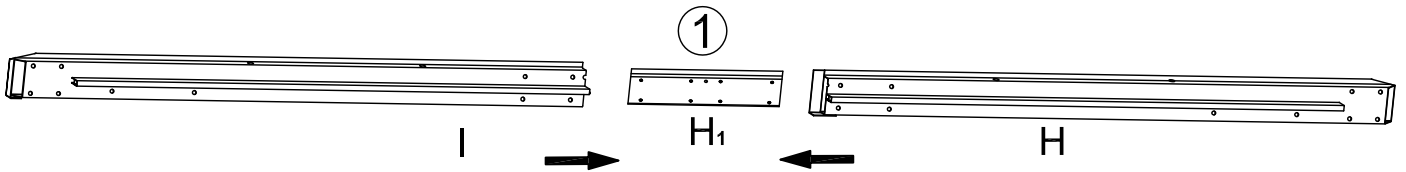
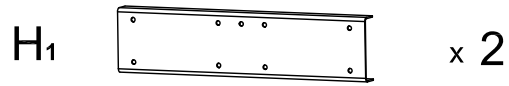
NO.	Description	Qty	Sketch
AA	Bolt M6 X 15mm	230	
BB	Bolt M6 X 25mm	48	
CC	Bolt M6 X 42mm	18	
DD	Bolt M6 X 60mm	4	
EE	Half-thread screw M6 X 30mm	32	
FF	Nut M6	40	
GG	Plastic Washer	58	
HH	Plastic cap	32	
II	Spanner	1	
JJ	Allen key	2	
KK	Steel washer	8	



Step 1:  
Insert base cap ( C ) on the bottom of post ( A ), then using bolts ( AA ) secure base flange ( B ) on the bottom of post ( A ). Repeat the step for all rest posts. **Bolts can be tight completely.**

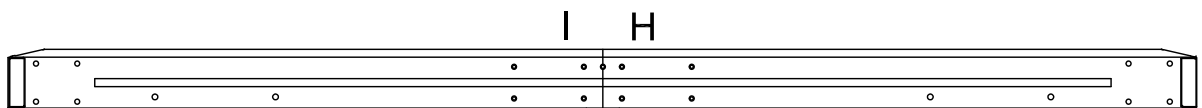
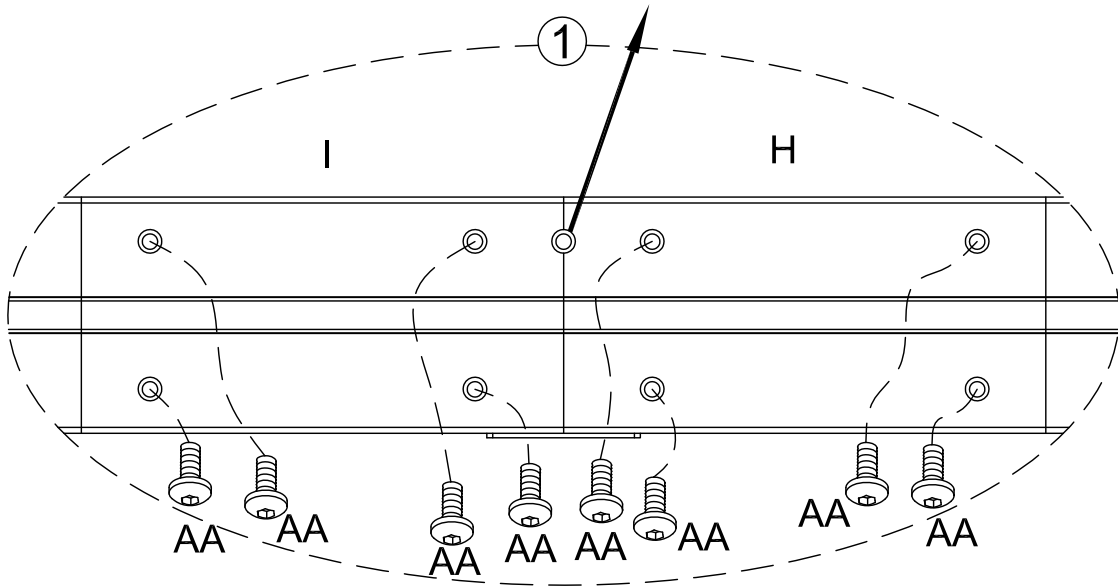


Step 2:  
 Insert the connector ( F1 ) into a long crossbar ( G ) and a long crossbar ( F ) as figure shown, and secure with bolts ( AA ). **Bolts can be tight completely.**



Attention!!

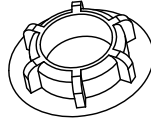
Do not put bolt in this hole, this care refer to a further step.



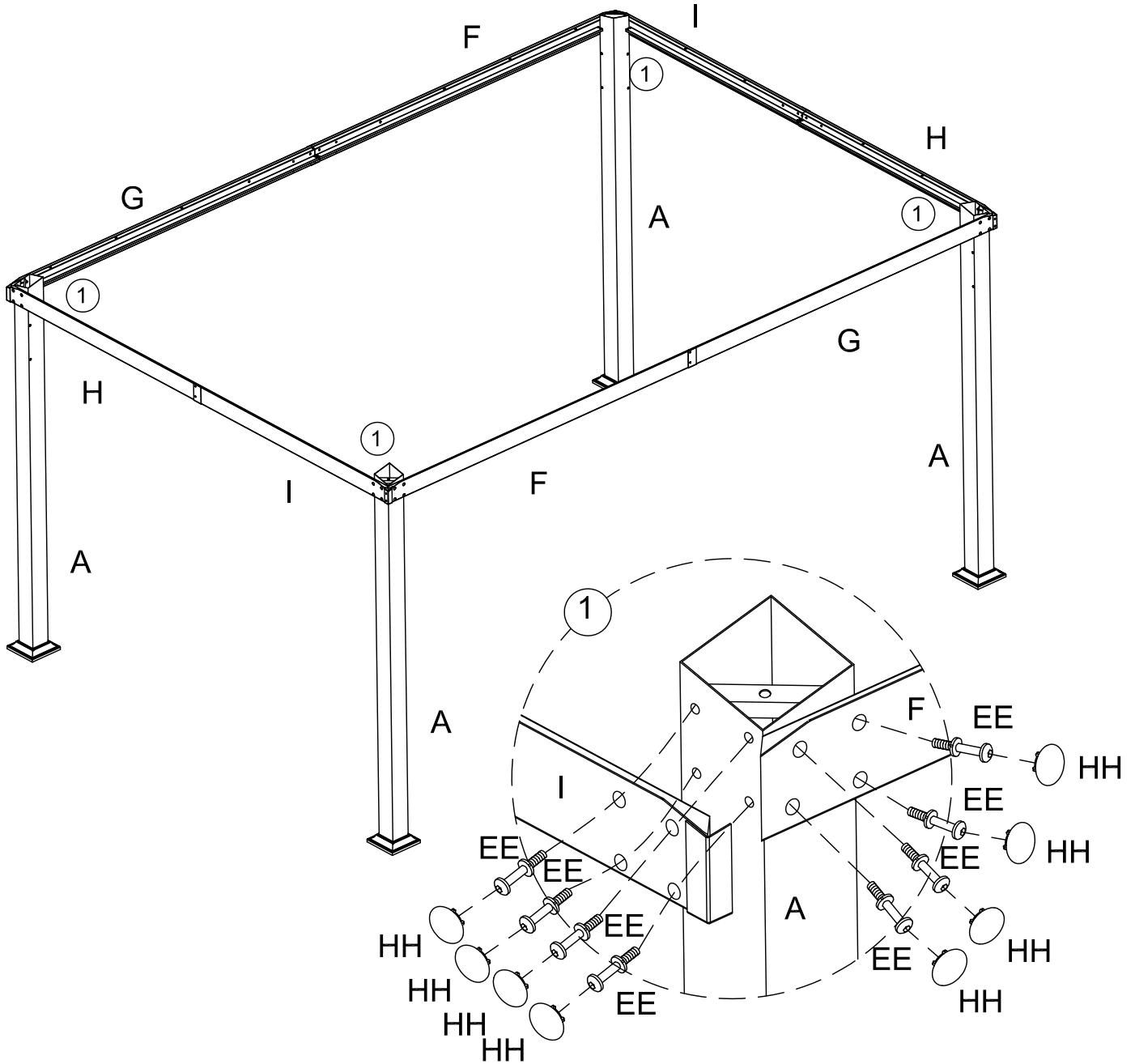
Step 3:

Insert the connector ( H1 ) into a short crossbar ( I ) and a short crossbar ( H ) as figure shown, and secure with bolts ( AA ). **Bolts can be tight completely.**

HH

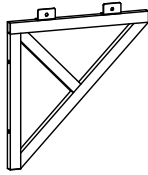


x 32



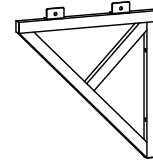
- Step 4:
1. Secure long crossbars set ( G & F ) on two posts ( A ) by using half-thread screws ( EE ). Do not tight bolts completely yet. Redo same procedure for the opposite side.
  2. Secure short crossbars set ( H & I ) on two posts ( A ) by using half-thread screws ( EE ). Bolts can be tight completely for both steps 1 & 2 .
  3. Install plastic caps ( HH ) as fig. 1 shown.
- Note: Please check above fig. carefully and make sure all the parts are in right position. For your security, you may need 4 people for this step.

D

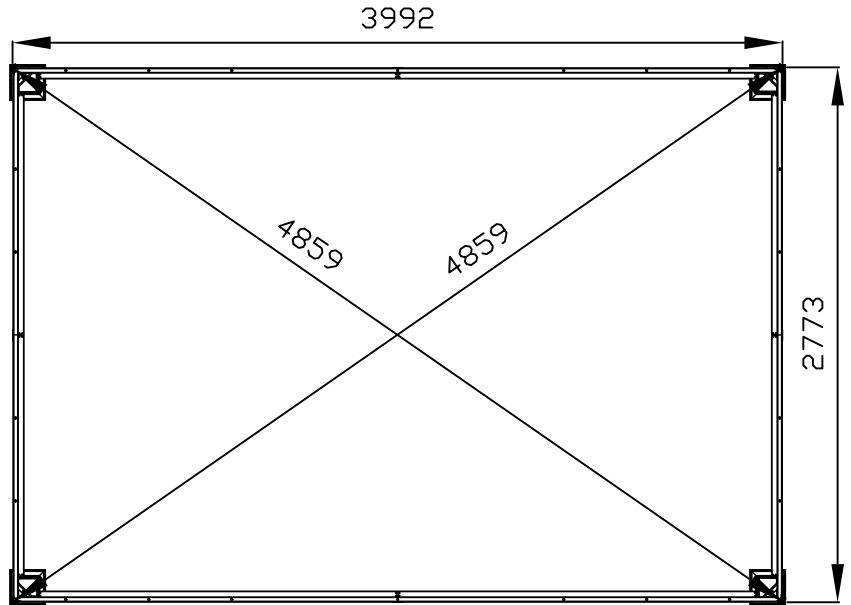
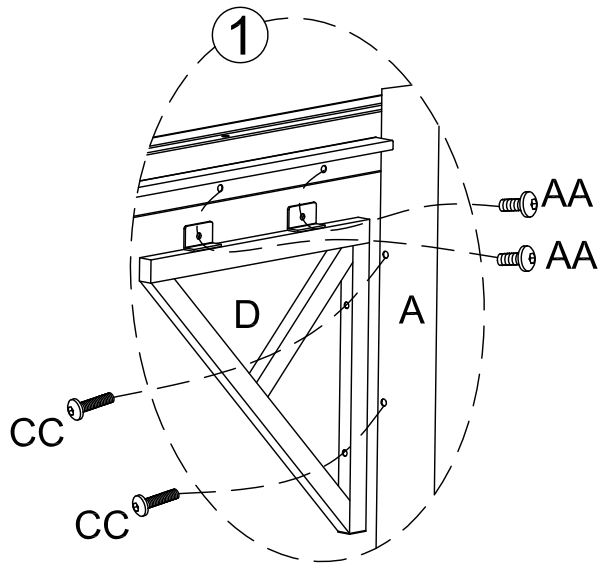


x 4

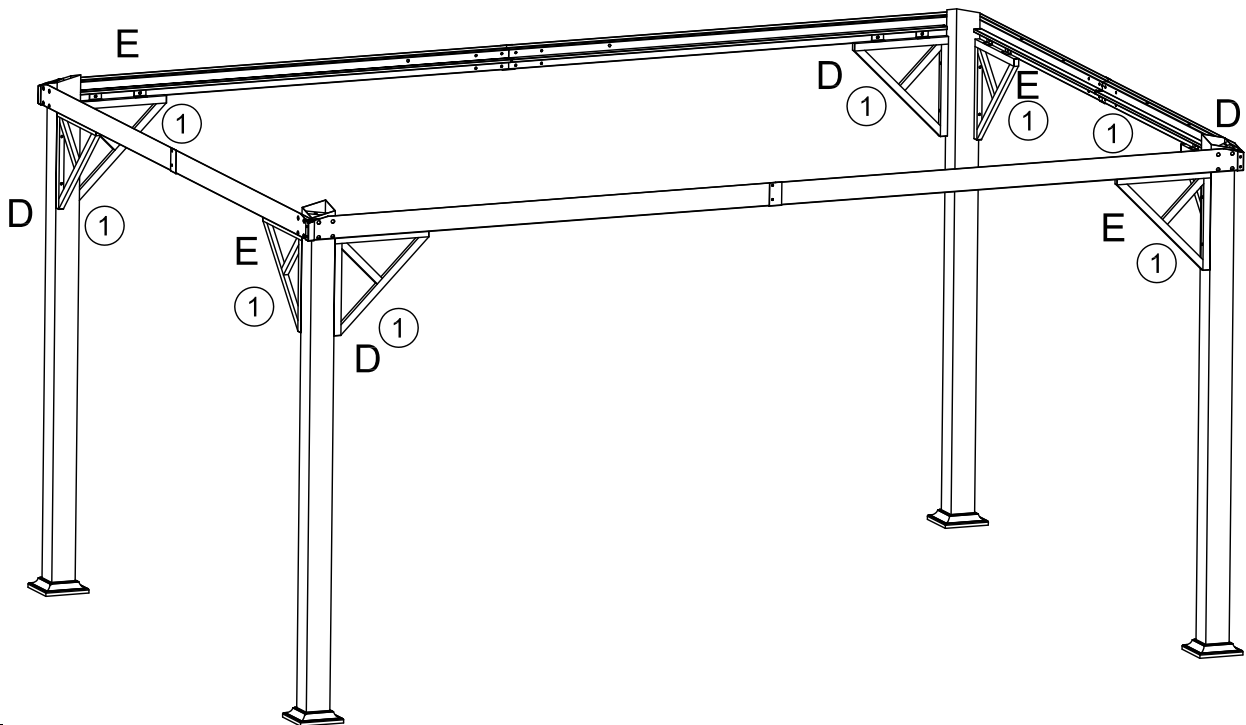
E



x 4



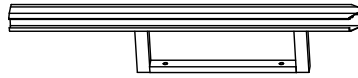
This is important to get square angles in crossbars corners so diagonal measurements (X) should be taken at top of posts in corners and get the same for both. This care refer to get an easy assembly.



**Step 5:**

Secure left and right braces ( D & E ) to posts ( A ) by using bolts ( CC ) as fig. 1. **Do not tight bolts yet.** Then secure other end of braces ( D & E ) to short and long assembly crossbars ( HIFG ) by using bolts ( AA ) as fig. 1. Tightening must be done only once all bolts are located. Tight all loose bolts but following this sequence: external of corners, lower end of braces then upper end. Prior tightening crossbars, ensure assembly is fully aligned.

O

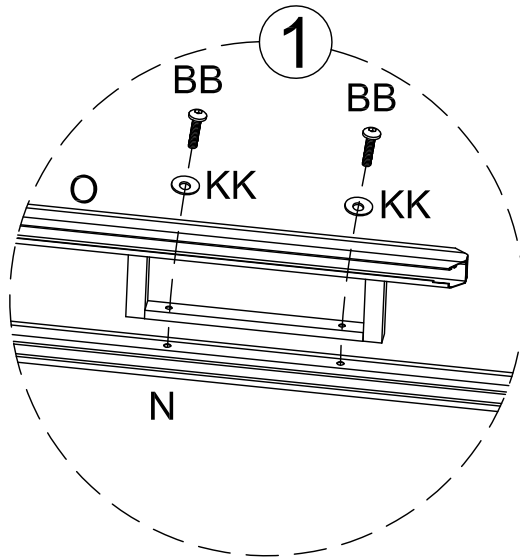
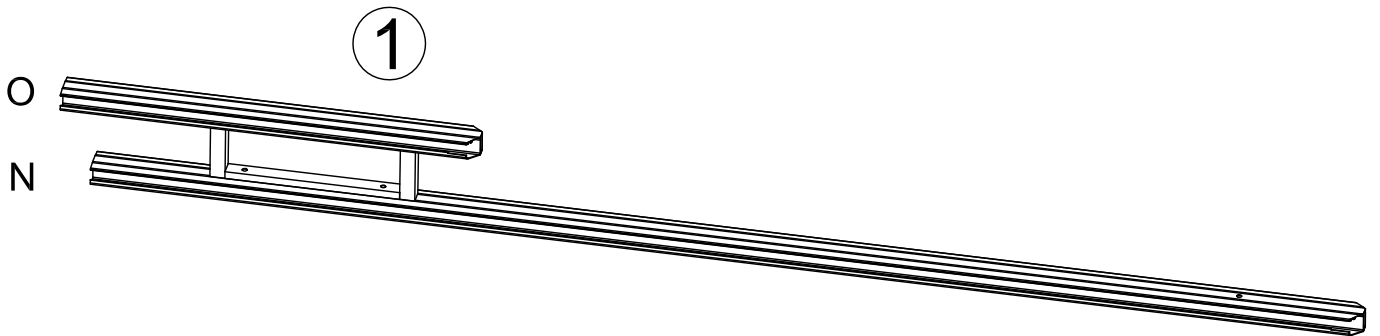


x 4

N



x 4



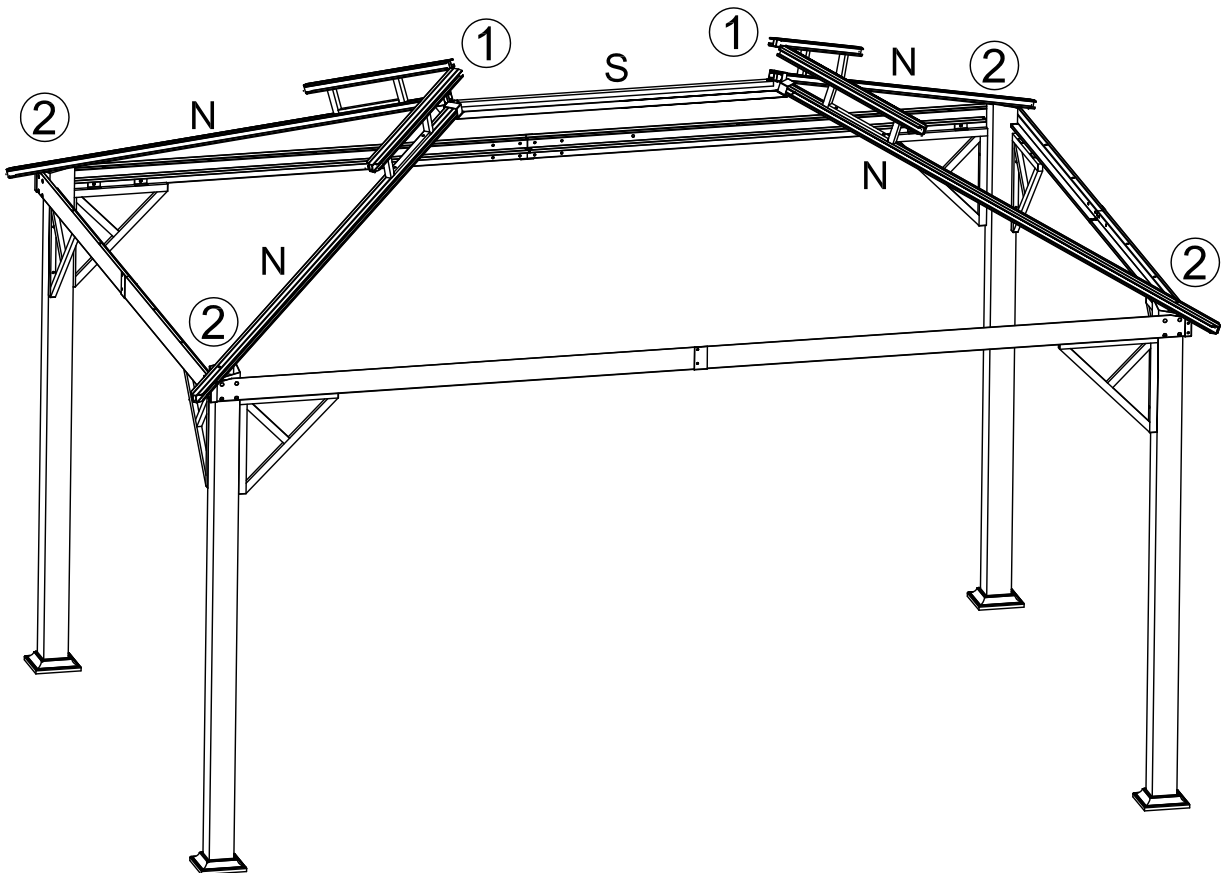
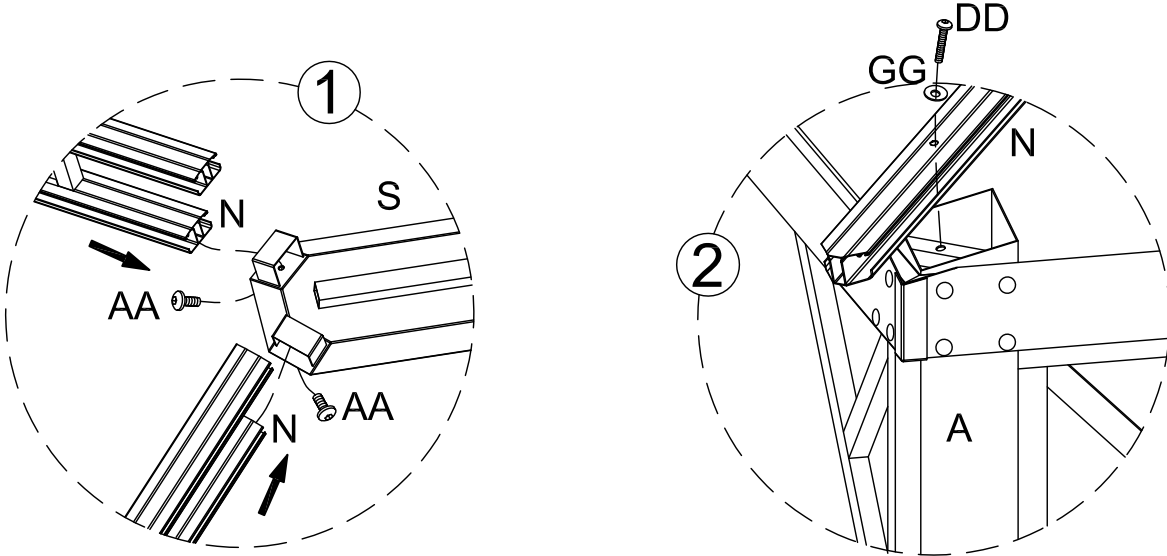
Step 6:

Secure an air vent roof tube ( O ) to a corner roof tube ( N ) using bolts ( BB ) and washers ( KK ) as shown in fig1. Repeat this step for remaining air vent & corner roof tubes. **Do not overtight bolts.**

S



x 1

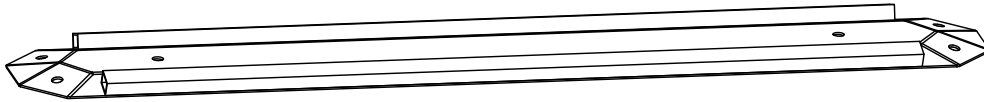


Step 7:

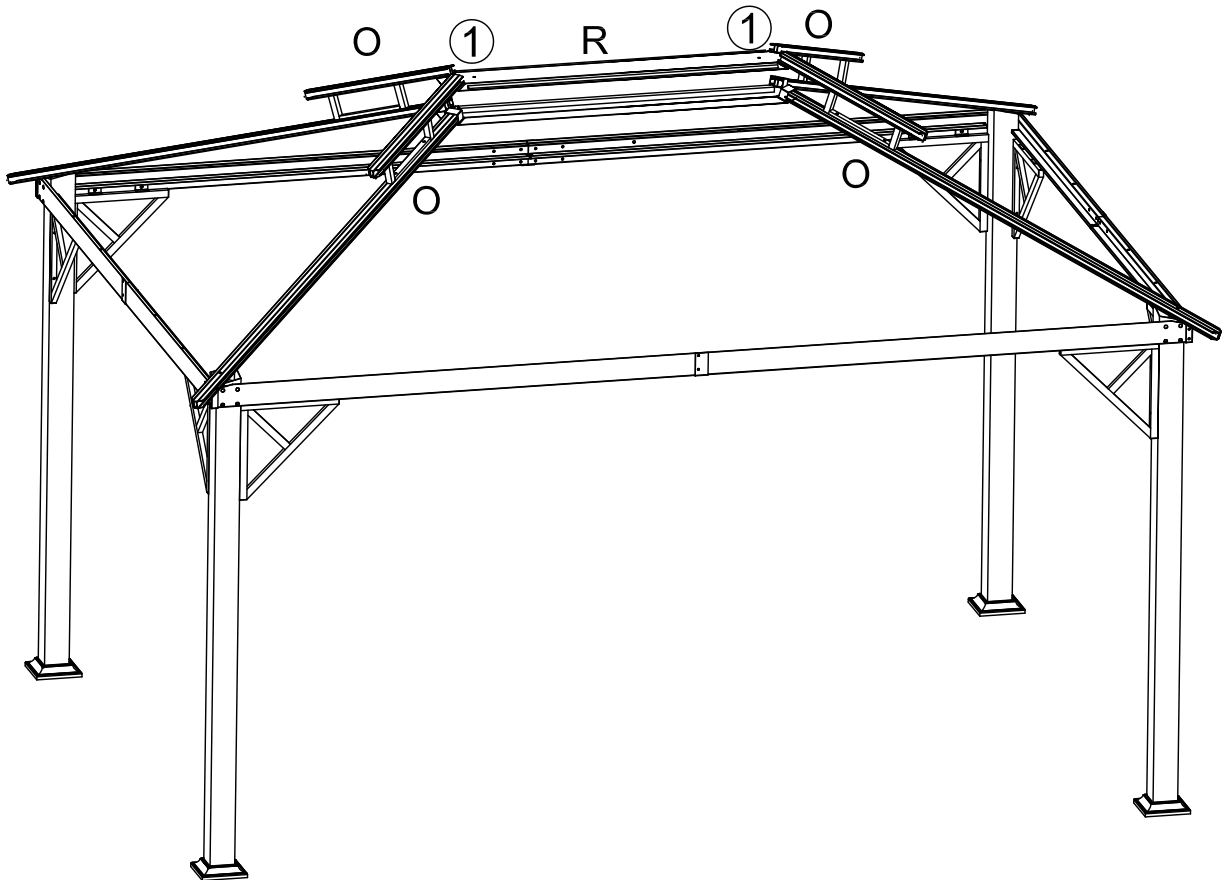
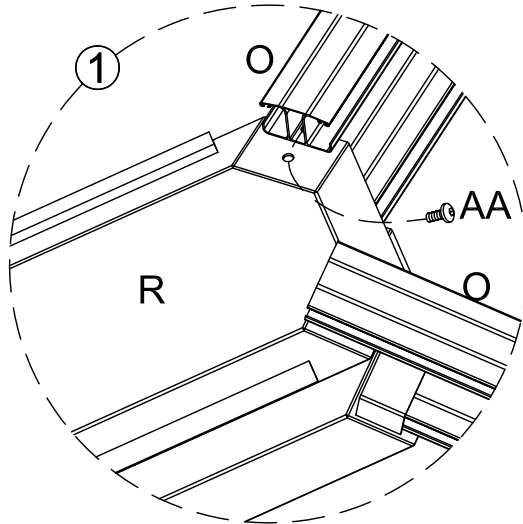
1. Secure assembled air vent & corner roof tubes ( O & N ) to roof connector ( S ) by using bolts ( AA ) as shown in fig.1. **Do not tight bolts completely yet.**
2. Lay down the corner roof tubes set ( ONS ) on crossbars four corners and secure by using bolts ( DD ) and plastic washers ( GG ) as shown in fig.2. **Do not tight bolts completely yet.**



R

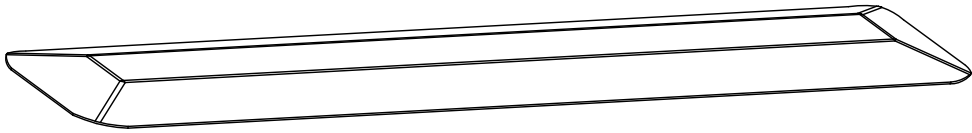


x 1

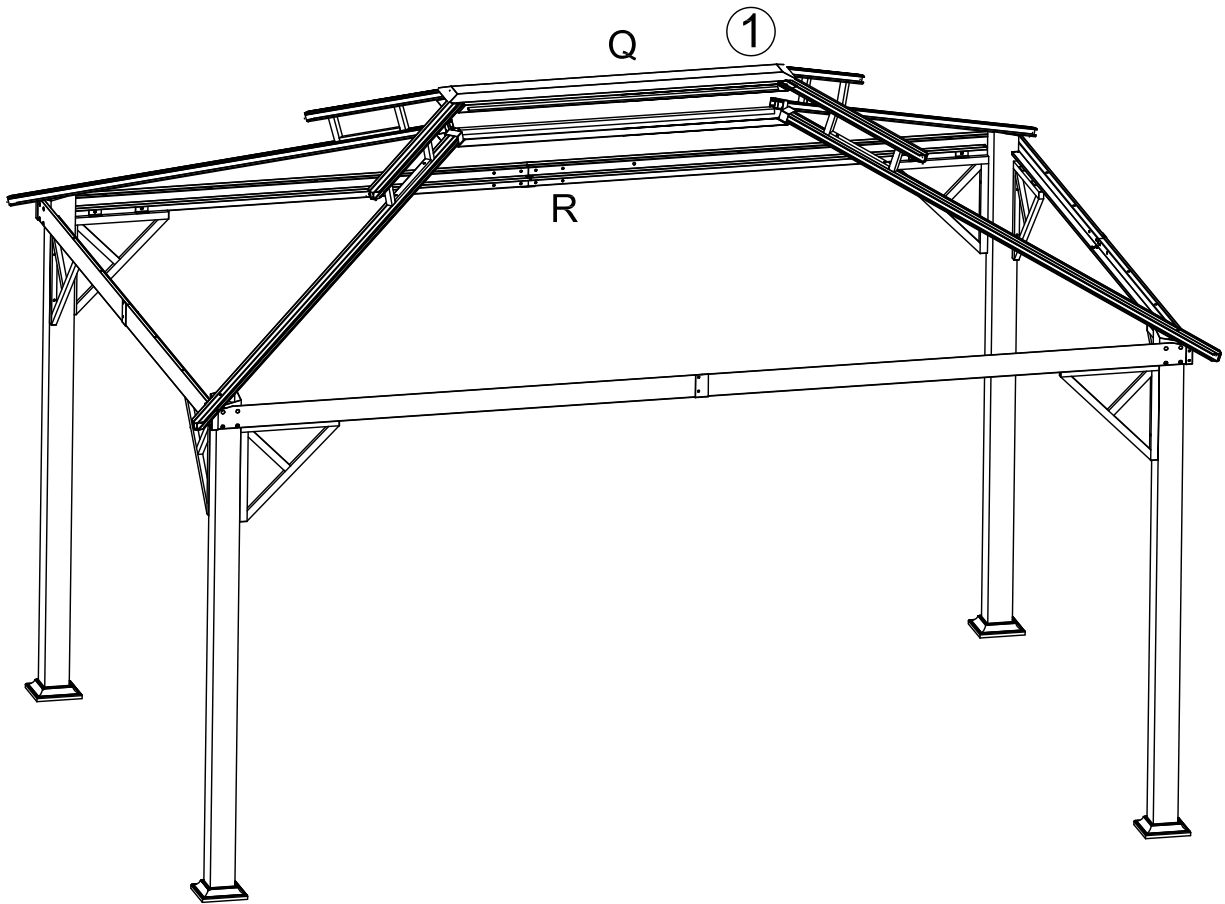
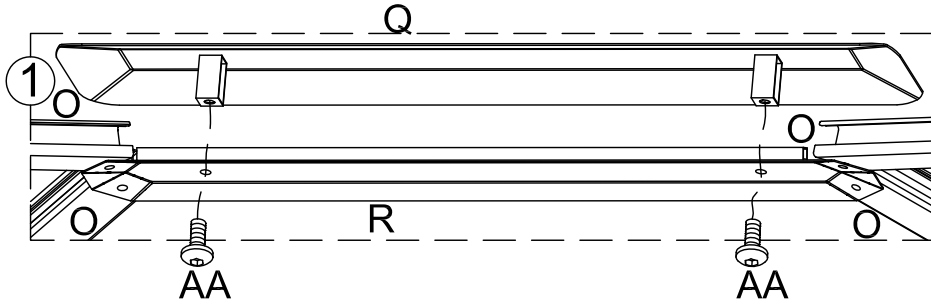


Step 8:  
Secure middle roof tube ( O ) on the roof connector ( R ) by using bolts ( AA ) as shown in fig. 1. **Do not tight bolts completely yet.**

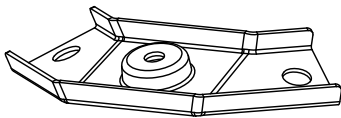

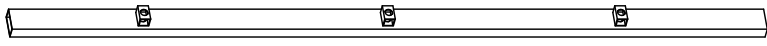
Q

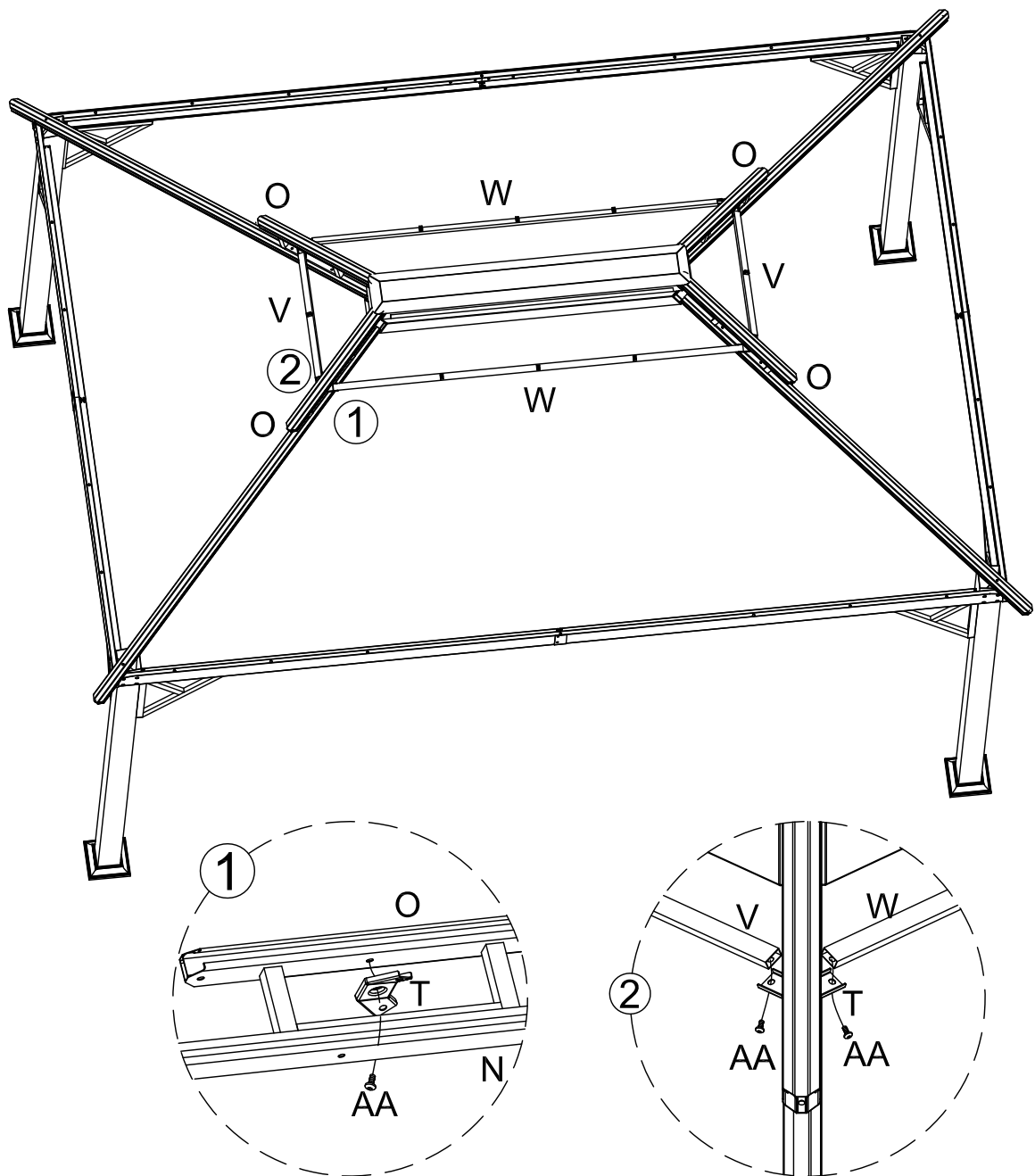


x 1



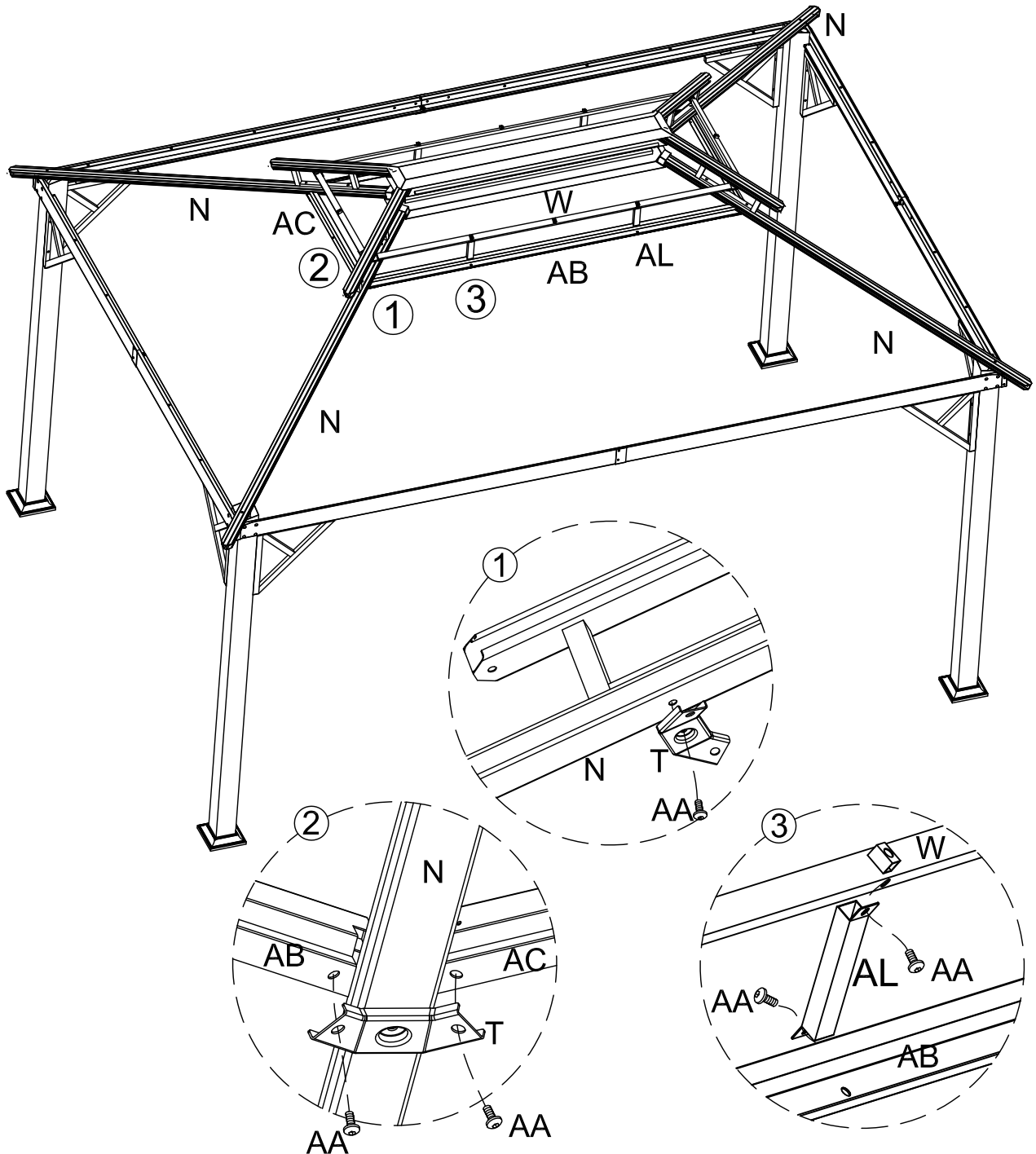
Step 9:  
Insert bolts ( AA ) through middle connector ( R ), and secure with roof cap ( Q ) as shown. Tight bolts. Bolts can be tight completely.

T		x 4
V		x 2
W		x 2



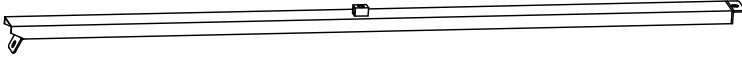
Step 10:

1. Secure corner connectors ( T ) on the air vent roof tubes ( O ) by using bolts ( AA ). Align the parts in position as fig. 1 shown. **Do not tight bolts completely yet.**
2. Secure air vent support tubes ( V & W ) on the corner connectors ( T ) by using bolts ( AA ) align the parts in position as fig. 2 shown. **Do not tight bolts completely yet.**

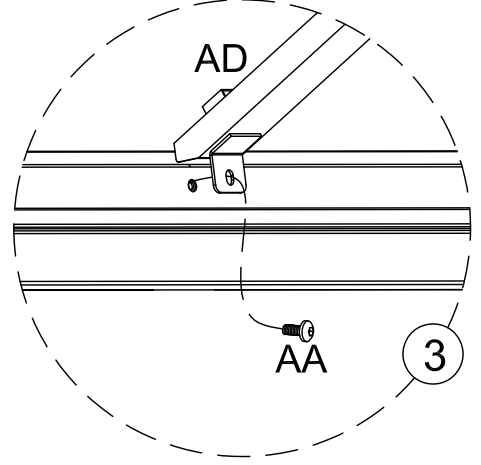
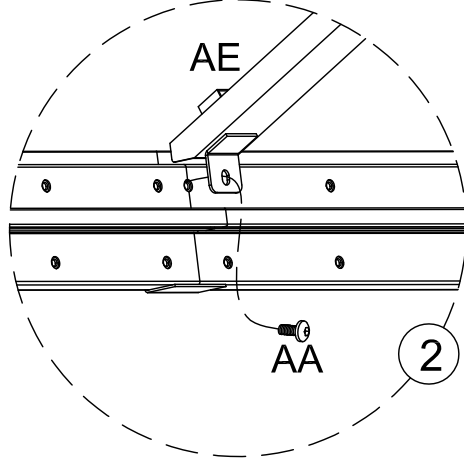
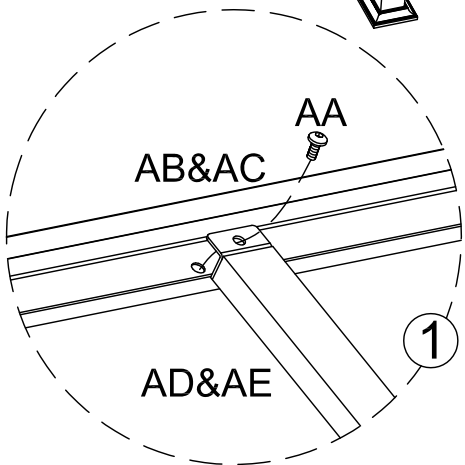
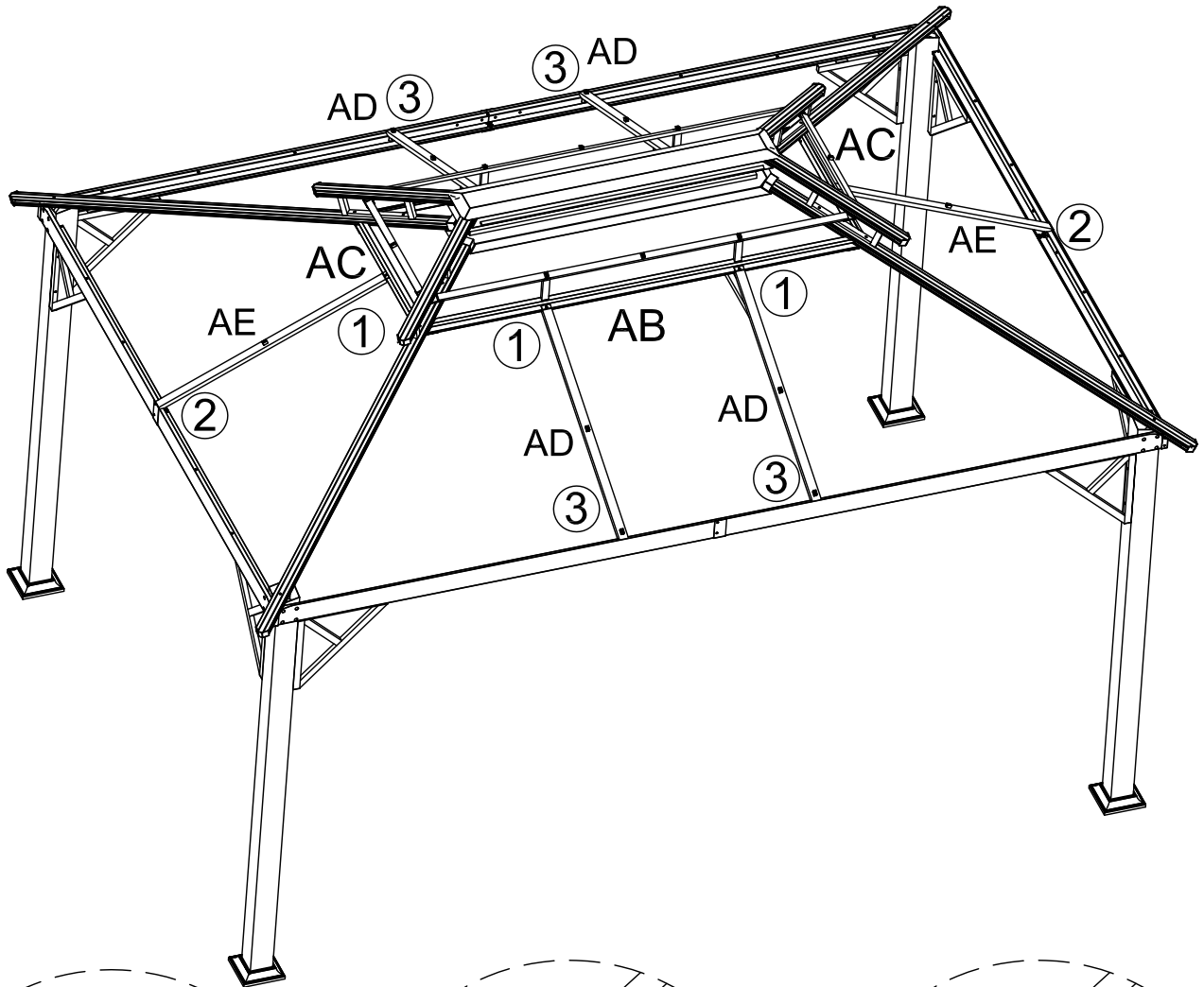


Step 11:

1. Secure corner connectors ( T ) on the corner roof tubes ( N ) by using bolts ( AA ). Align the parts in position as fig. 1 shown. **Do not tight bolts completely yet.**
2. Secure roof profiles ( AB & AC ) on the connectors ( T ) by using bolts ( AA ). Align the parts in position as fig. 2 shown. **Do not tight bolts completely yet.**
3. Secure air vent support tube ( AL ) to air vent support tube ( W ) by using bolts ( AA ). Then, secure to air vent roof profile ( AB ) using bolts ( AA ) as fig.3.


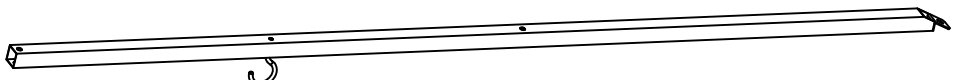
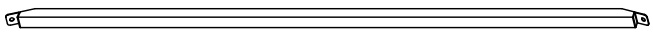
AD  x 4

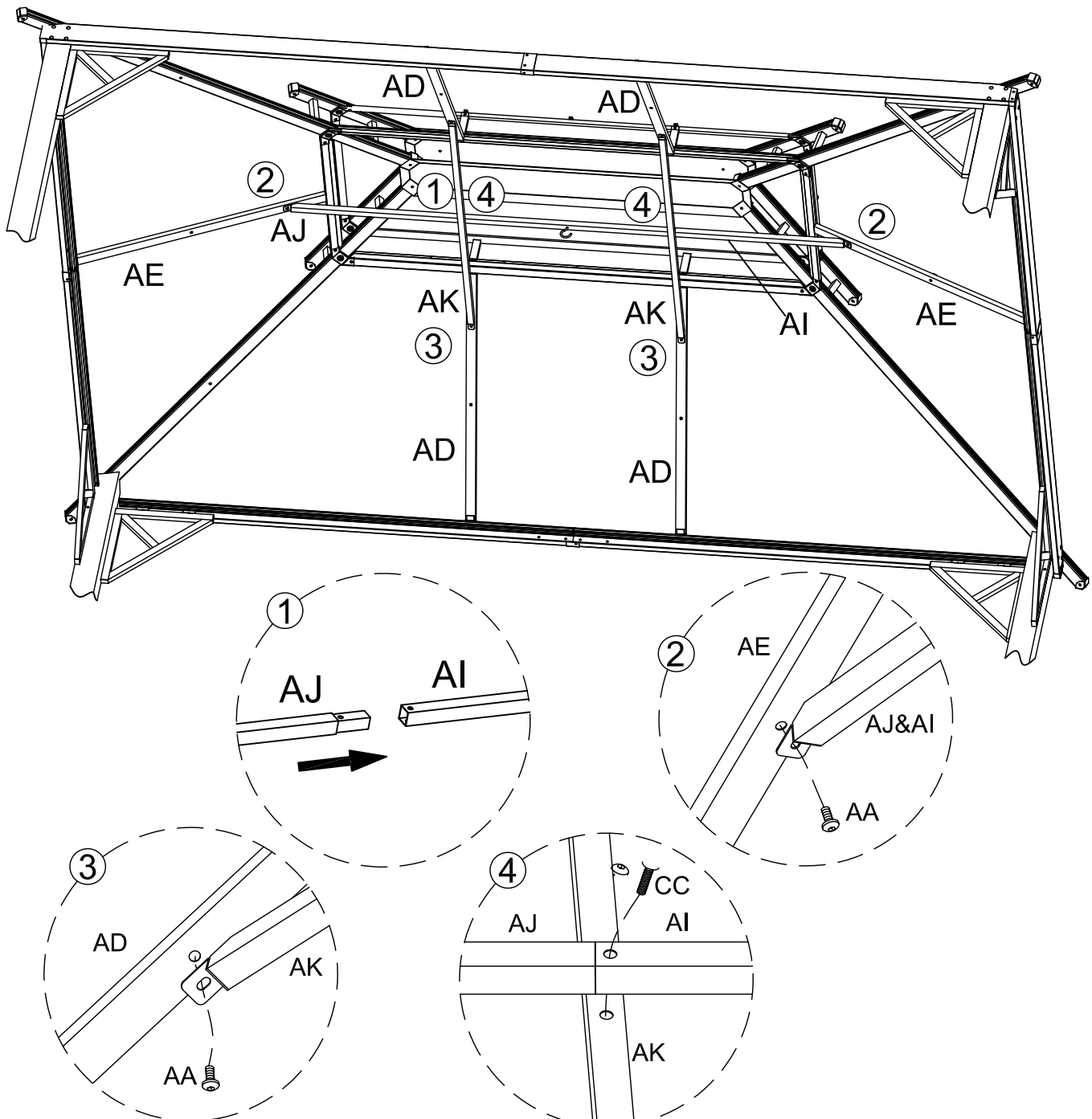
AE  x 2



Step 12:

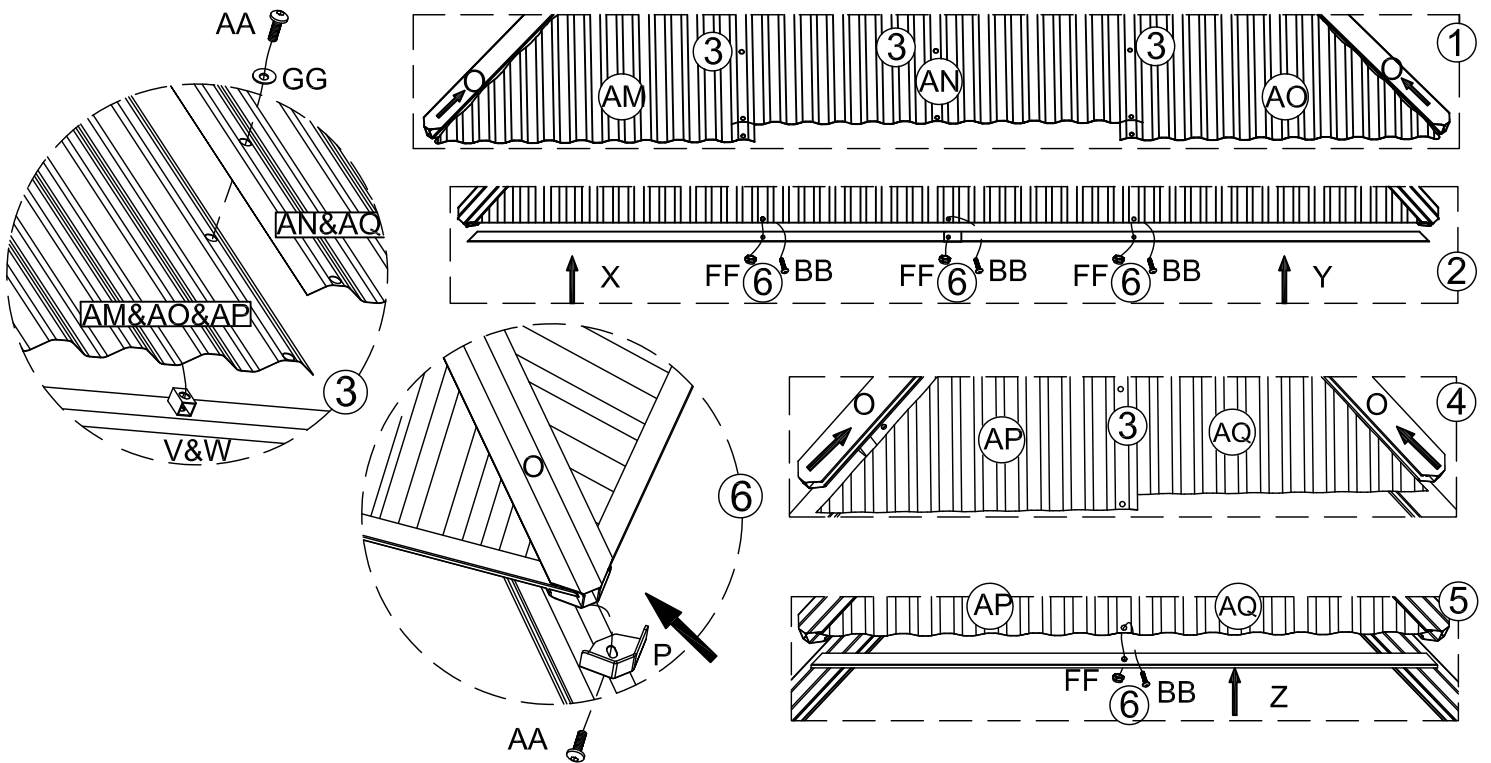
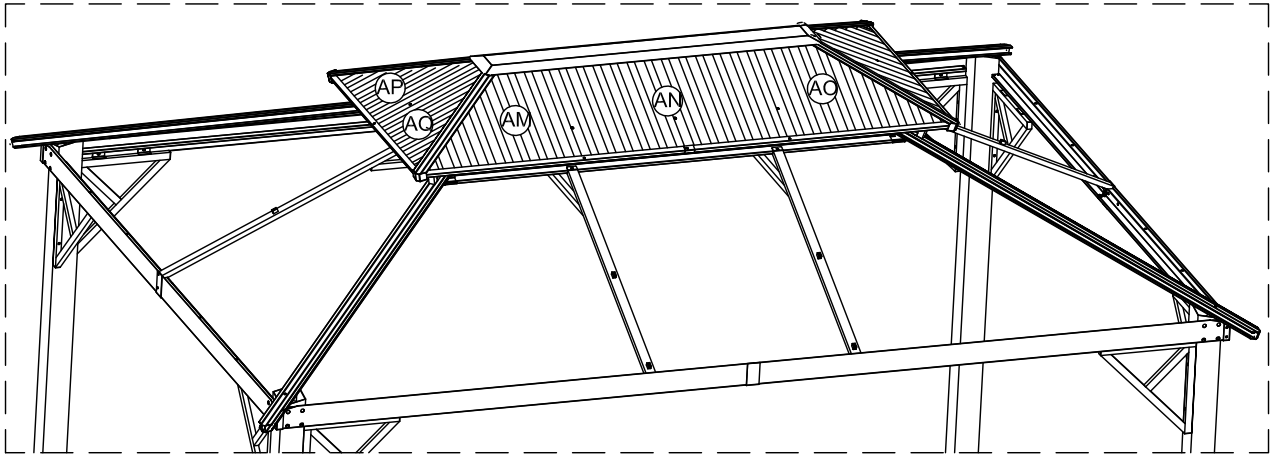
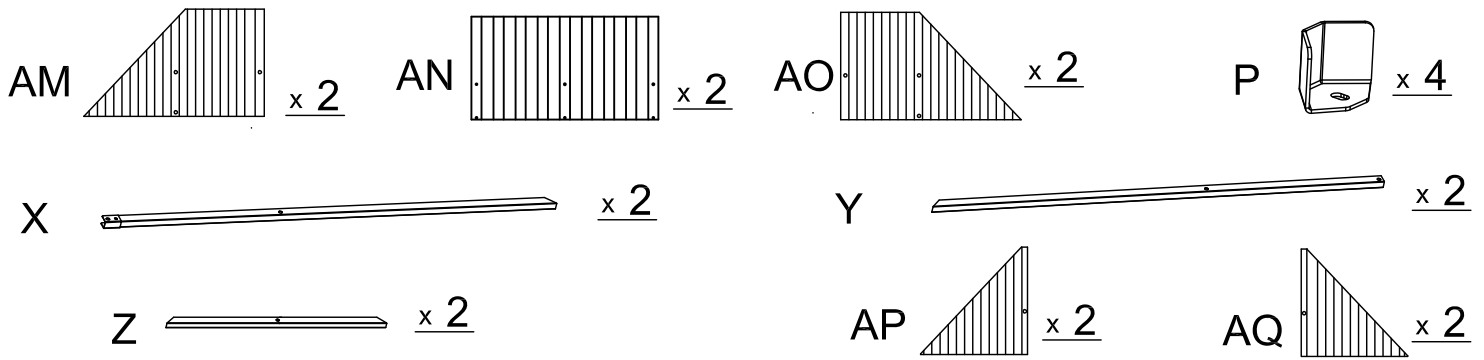
Secure middle support tubes ( AD & AE ) on the roof profiles ( AB & AC ) by using bolts ( AA ) as fig. 1 shown. Then, secure to the crossbars ( FGHI ) using bolts ( AA ) as fig.2 & 3 shown. **Do not tight bolts completely yet.**

AJ		x 1
AI		x 1
AK		x 2



Step 13:

1. Insert upper roof support tube ( AJ ) into upper roof support tube ( AI ), then insert bolts ( AA ) through upper roof support tubes ( AJ & AI ) ends, and secure with middle support tubes ( AE ) as fig. 1 & 2 shown. **Do not tight bolts completely yet.**
2. Insert bolts ( AA ) through upper roof support tubes ( AK ) ends, and secure with middle support tubes ( AD ) as fig. 3 shown.
3. Insert bolts ( CC ) through upper roof support tubes ( AJ & AI ), and secure with upper roof support tubes ( AK ) as fig. 4 shown.

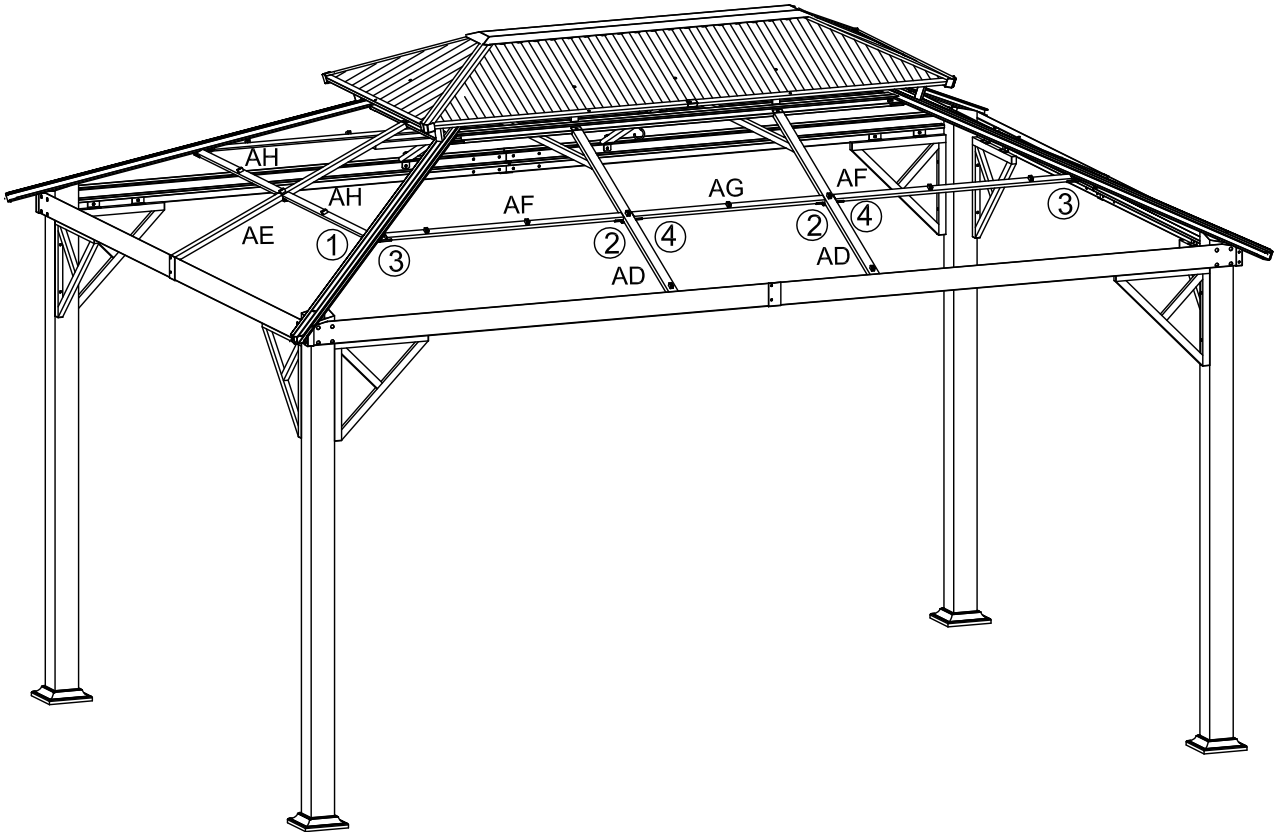
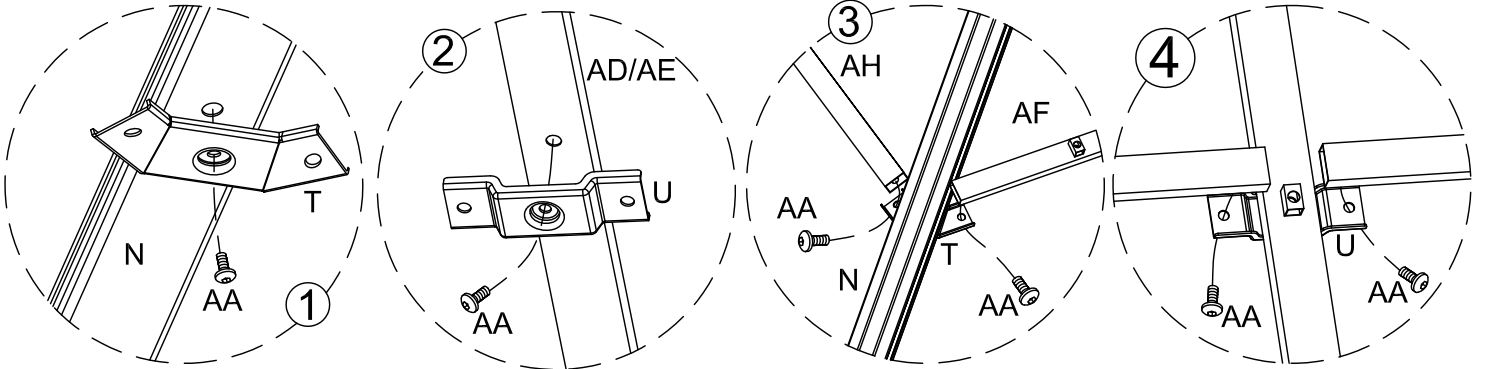
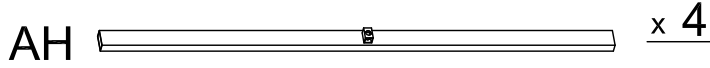
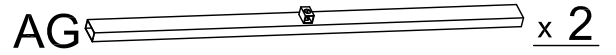
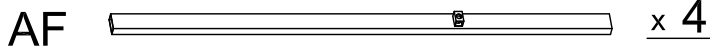
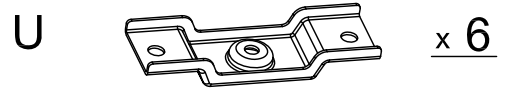
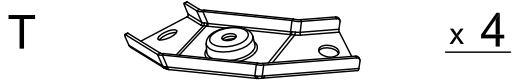


**Step 14:**

1. Lay down air vent panels ( AM & AN & AO ) on middle of the roof under the roof cap ( Q ), and insert air vent roof tubes ( O ) groove. Note the air vent panels ( AM & AN & AO ) need to overlap. Use bolts ( AA ) and plastic washers ( GG ) to secure with roof support tube ( W ) as fig. 1 & 3 shown. Then insert air vent profiles ( X & Y ) at the end as fig. 2 shown and secure with bolts ( BB ) & nuts ( FF ) as #6 point shown. **Do not tight bolts completely yet.**
2. Insert adjacent air vent panels ( AP & AQ ) into air vent roof tubes ( O ) groove, Note the air vent panels ( AP & AQ ) need to overlap. Use bolts ( AA ) and plastic washers ( GG ) to secure with roof support tube ( V ) as fig. 4 & 3 shown. Then insert air vent profile ( Z ) as the end as fig. 5 shown and secure with bolts ( BB ) and nuts ( FF ) as #6 point shown. **Do not tight bolts completely yet.**
3. Finally insert bolts ( AA ) through corner connectors ( P ), secure with air vent roof tubes ( O ) as fig. 7 shown. **Do not tight bolts completely yet.**

Repeat the steps 1 to 3 for opposite side. **Bolts can be tight.**

Notes: Install clockwise to prevent the panels slide off.



Step 15:

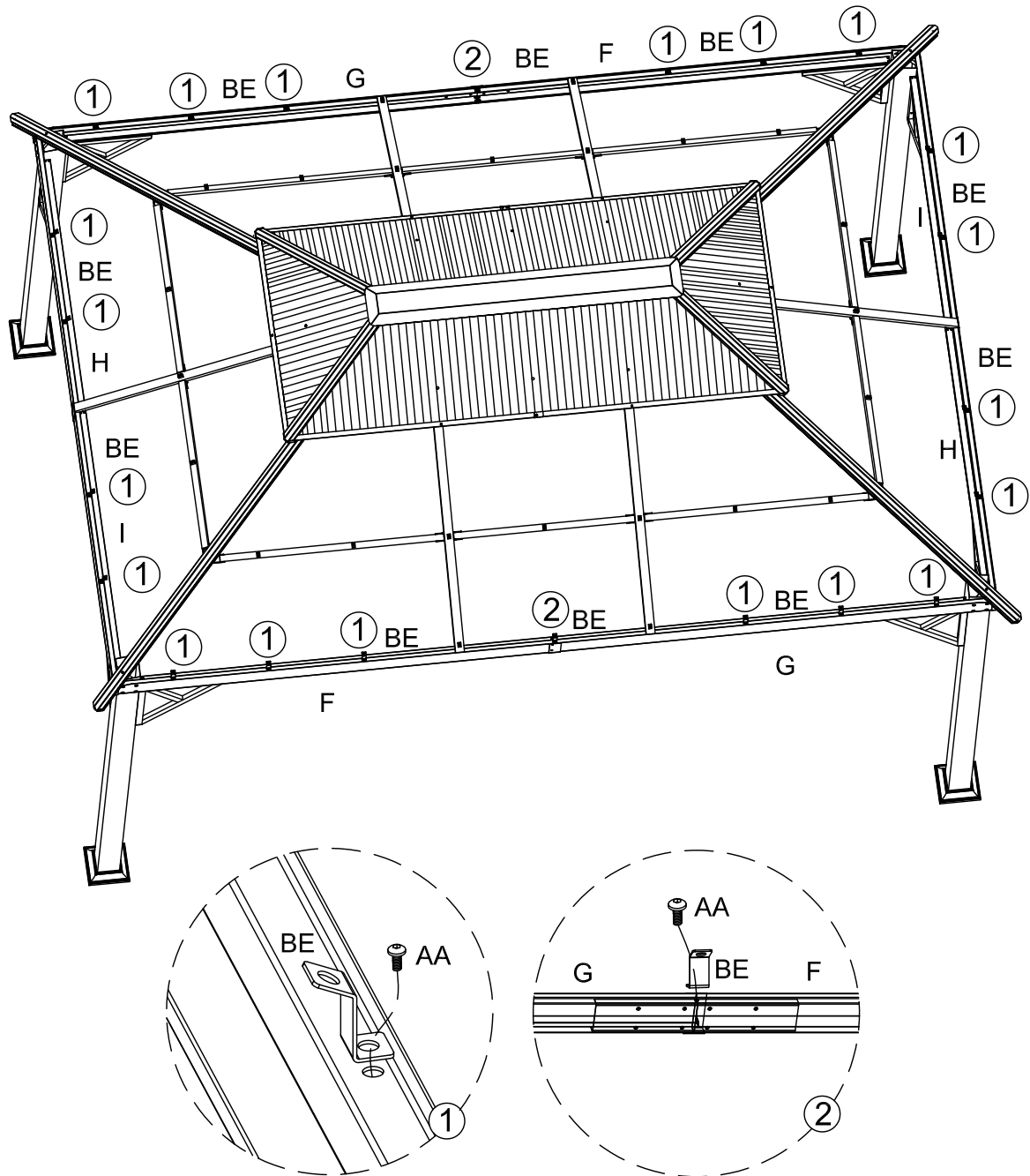
1. Secure corner connectors ( T ) on the corner roof tubes ( N ) by using bolts ( AA ). Align the parts in position as fig. 1 shown. **Do not tight bolts completely yet.**
2. Secure middle connectors ( U ) on the middle support tubes ( AD & AE ) by using bolts ( AA ). Align the parts in position as fig.2 shown. **Do not tight bolts completely yet.**
3. Secure roof support tubes ( AF & AG & AH ) on the middle & corner connectors ( U & T ) by using bolts ( AA ). Align the parts in position as fig.3 & 4 shown. **Do not tight bolts completely yet.**



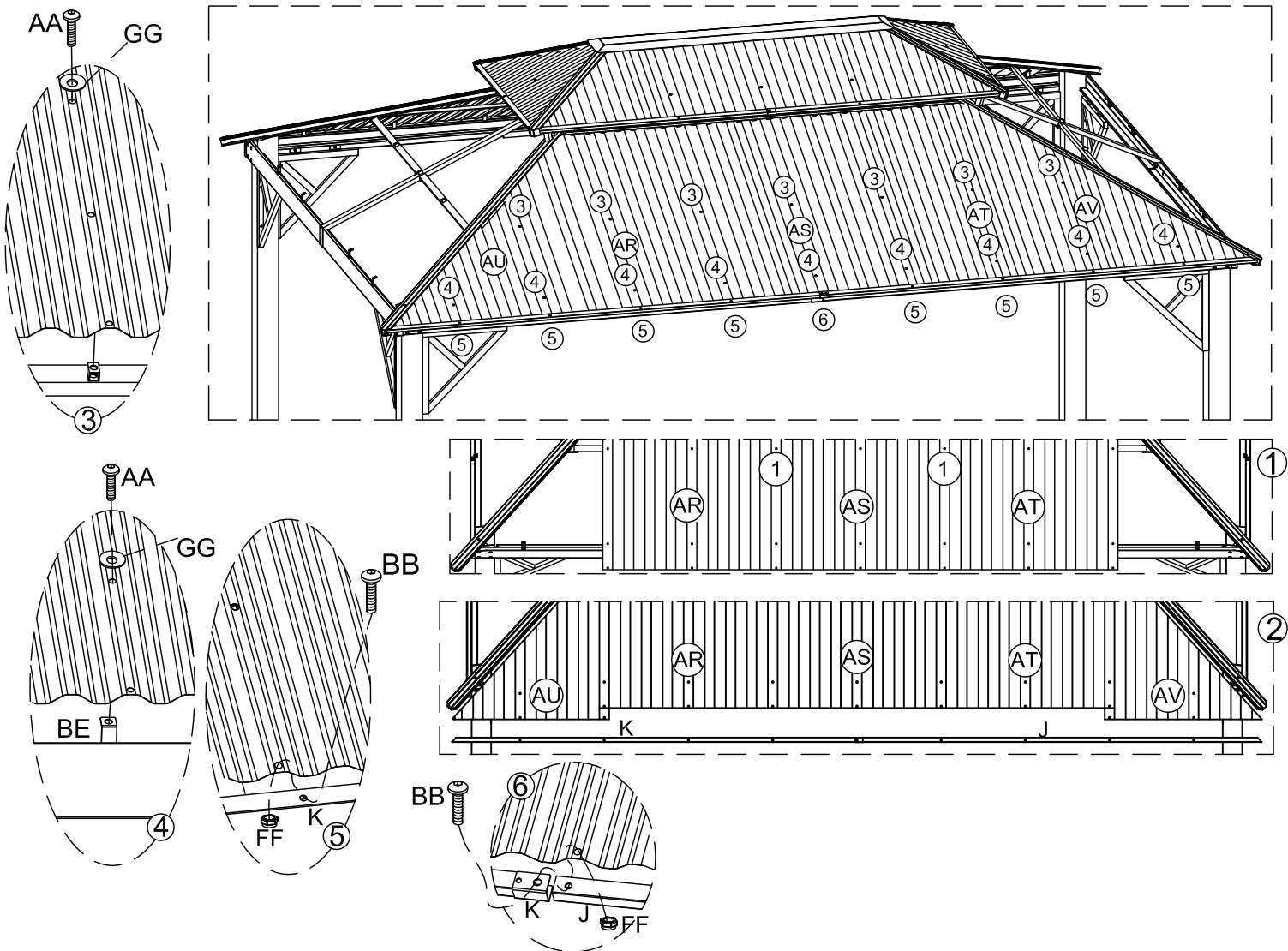
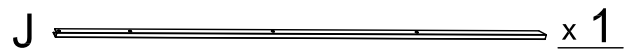
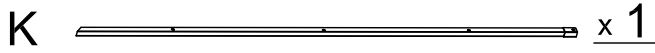
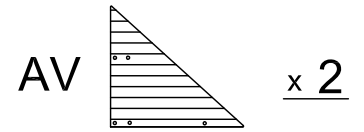
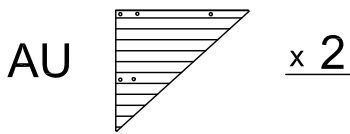
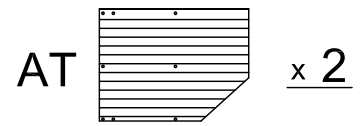
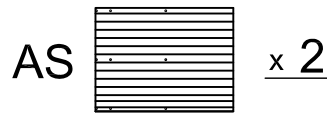
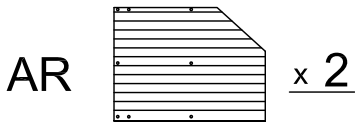
BE



x 22



Step 16:  
Insert bolts ( AA ) through brackets ( BE ), and secure with short and long assembly crossbars ( FGHI ) as fig. 1 & 2 shown. **Do not tight bolts completely yet.**

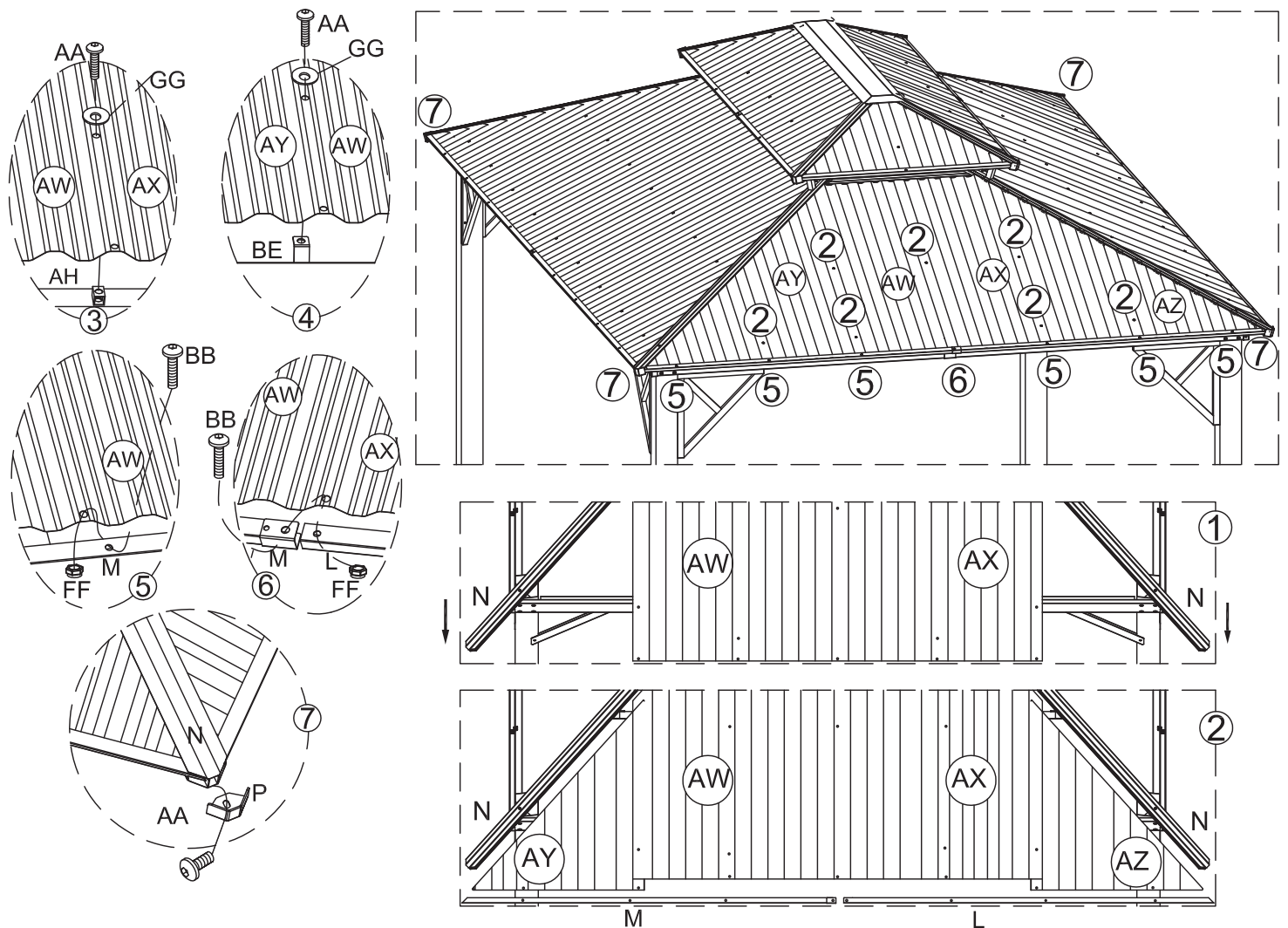
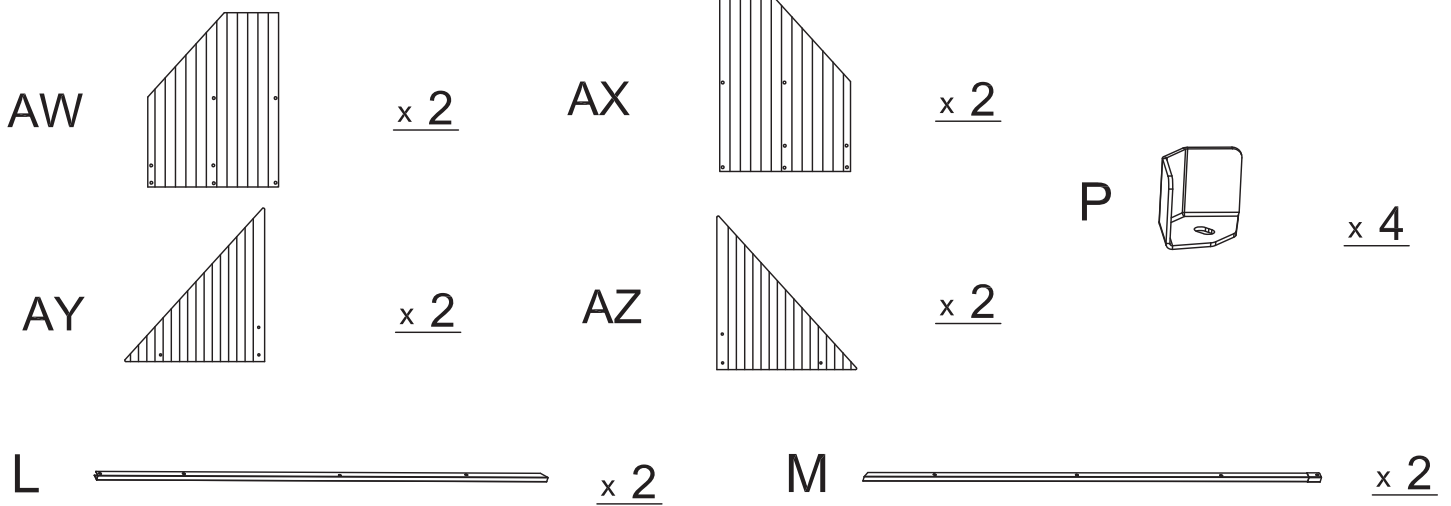


**Step 17:**

1. Lay down left & middle & right roof panels ( AR & AS & AT ) on middle support tubes ( AD ) and under the roof profile ( AB ) groove. Note the left & middle & right roof panels ( AR & AS & AT ) need to overlap. Use bolts ( AA ) and plastic washers ( GG ) to secure with roof support tubes ( AF & AG ) and brackets ( BE ) as fig. 1 & 3 & 4 shown. **Do not tight bolts completely yet.**
2. Then insert left & right roof panels ( AU & AV ) into corner roof tubes ( N ) groove. Note the left & right roof panels ( AR & AT ) need to overlap. Use bolts ( AA ) and plastic washers ( GG ) to secure with roof support tubes ( AF & AG ) and brackets ( BE ) as fig.3 & 4 shown. **Do not tight bolts completely yet.**
3. Finally insert eave profiles ( K & J ) at the end as fig. 2 shown and secure with bolts ( BB ) & nuts ( FF ) as fig. 5 & 6. **Do not tight bolts completely yet.**

Repeat the steps 1 to 3 for opposite sides. Do not tight bolts completely yet.

Notes: Install clockwise to prevent the panels slide off.



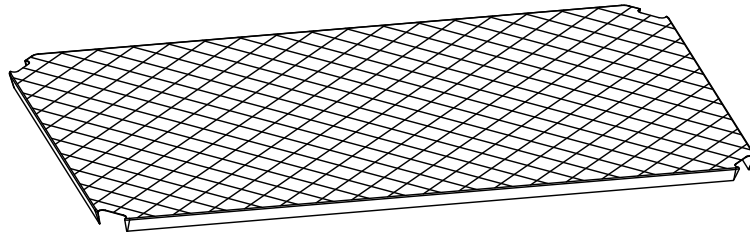
**Step 18:**

1. Lay down adjacent middle roof panels ( AW & AX ) on middle support tubes ( AE ) and under the roof profile ( AC ), and insert into corner roof tubes ( N ) groove. Note the middle roof panels ( AW & AX ) need to overlap. Use bolts ( AA ) and plastic washers ( GG ) to secure with roof support tubes ( AH ) and brackets ( BE ) as fig. 1 & 3 & 4 shown. **Do not tight bolts completely yet.**
2. Then insert left & right roof panels ( AY & AZ ) into corner roof tubes ( N ) groove. Note the left & right roof panels ( AY & AZ ) need to overlap. Use bolts ( AA ) and plastic washers ( GG ) to secure with roof support tubes ( AH ) and brackets ( BE ) as fig.3 & 4 shown. **Do not tight bolts completely yet.** Insert eave profiles ( M & L ) at the end as fig. 2 shown and secure with bolts ( BB ) & nuts ( FF ) as fig. 5 & 6. **Do not tight bolts completely yet.**
3. Finally insert bolts ( AA ) through corner connectors ( P ), secure with corner roof tubes ( N ) as fig. 7 shown.

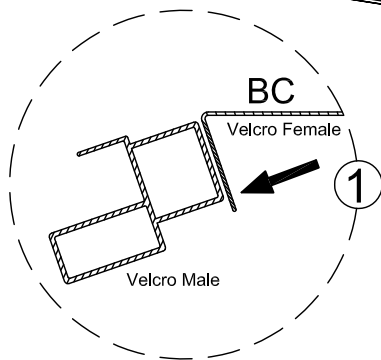
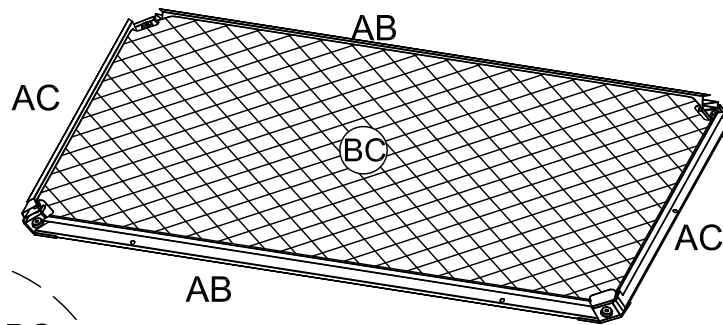
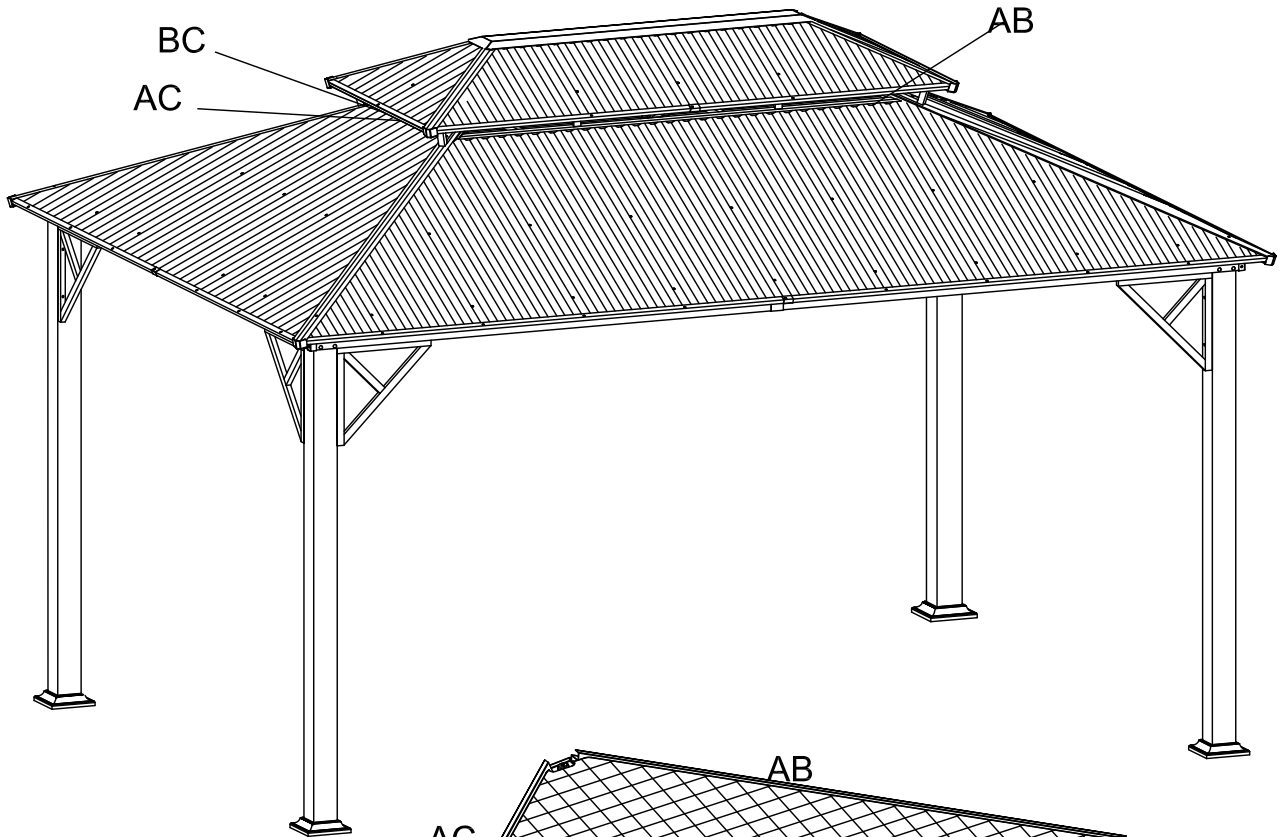
Repeat the steps 1 to 3 for opposite sides. Do not tight bolts completely yet.

Notes: Install clockwise to prevent the panels slide off.

BC

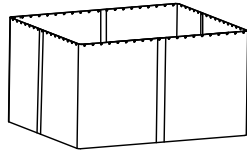


x1

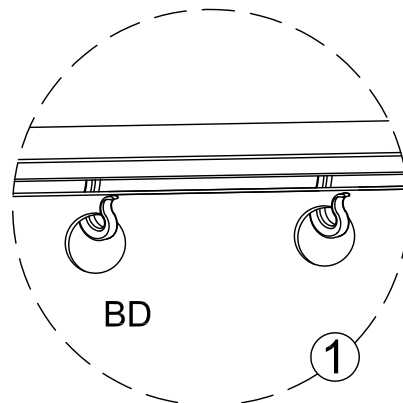
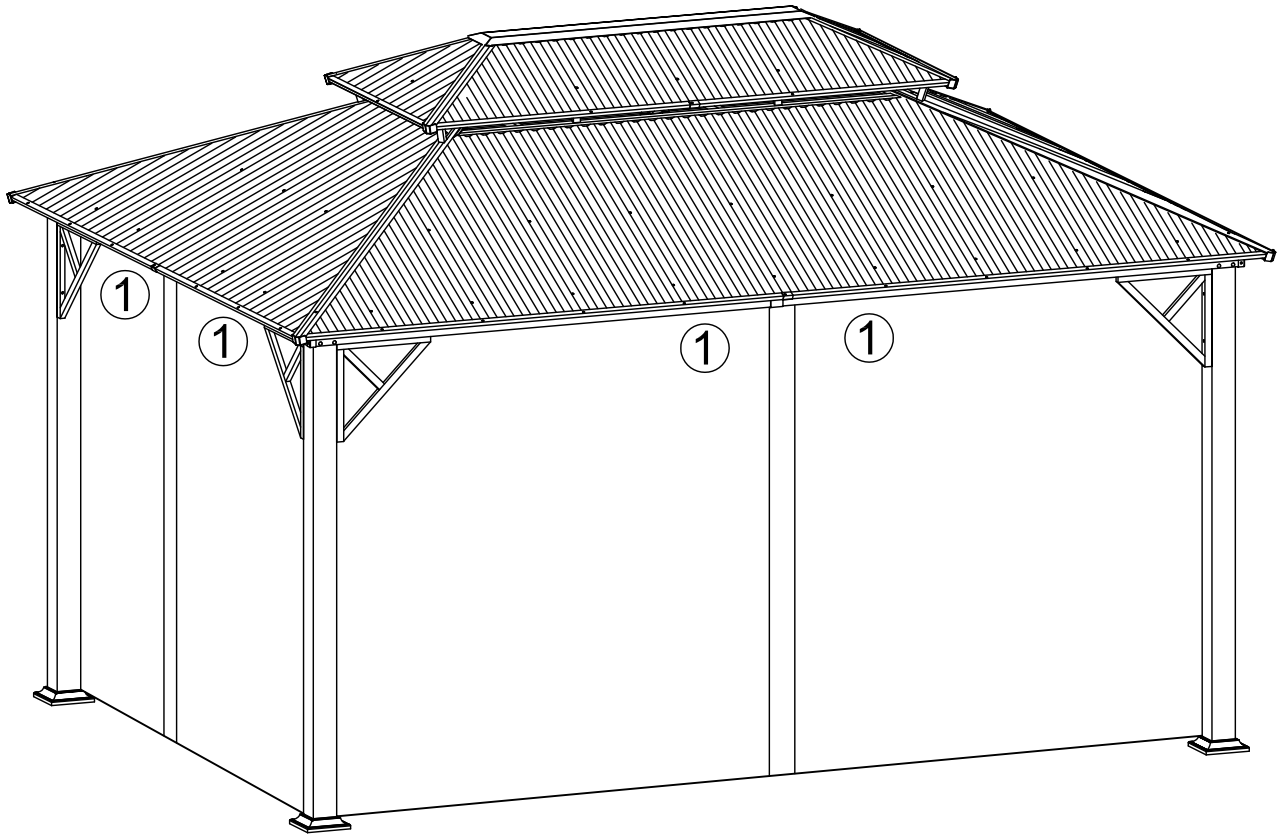


Step 19:  
Place air vent mosquito net ( BC ) on the roof profiles ( AB & AC ) by fitting velcro male and female properly as fig.1 shown.

BD



x1



Step 20:

1. Hang the mosquito net ( BD ) by hooks properly.

2. **Depend of patio surface, use proper anchoring devices. Anchors not supplied.**

3. Remove all gazebo assembly stickers.

4. Final tightening of all remaining untight bolts.

Please ensure posts and ground are perpendicular with each other once the unit is assembled.

Enjoy your leisure time with the gazebo.