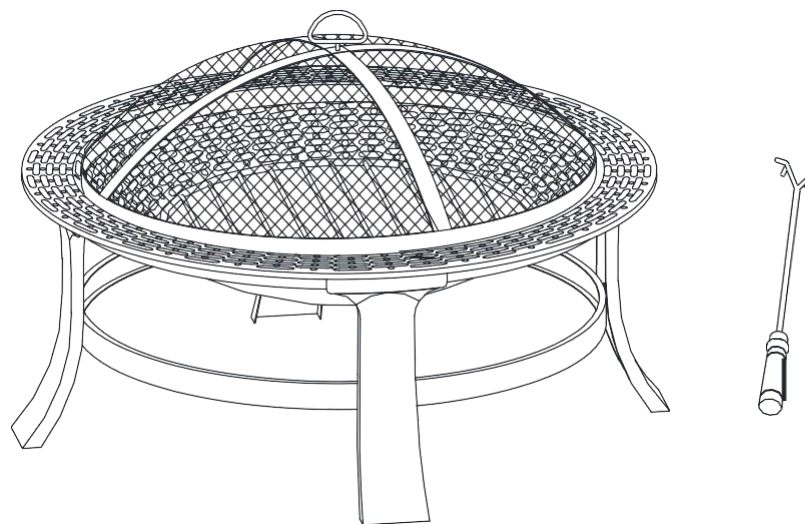


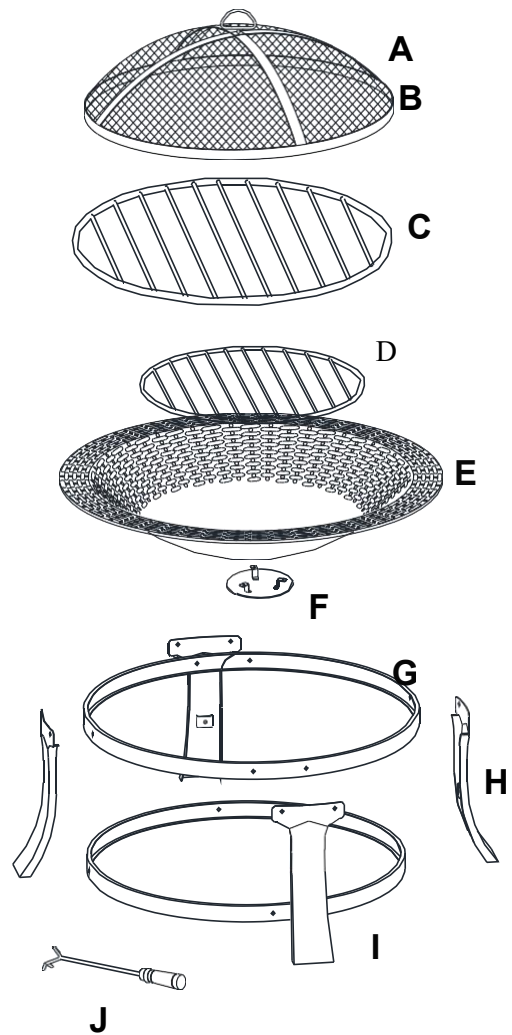
Fire Stove #13
MPS31RD- (2021)
Assembly instructions



F. Corriveau
INTERNATIONAL

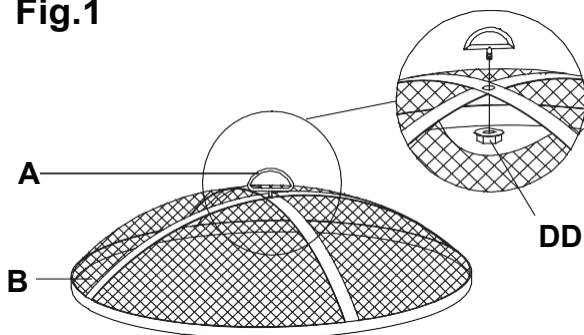
Parts List		
Part#	Description	QTY
A	Handle	1
B	Mesh wire cover	1
C	Grill	1
D	Grate	1
E	Fire Bowl	1
F	Ash catcher	1
G	Up-coupling ring	1
H	Leg	4
I	Down-coupling ring	1
J	Poker	1

Hardware		
Part#	Description	QTY
AA	M6x15 Bolt	8
BB	M6x10 Bolt	4
CC	M5x10 Bolt	3
DD	M6 Nut	9
EE	M5 Nut	3
FF	Wrench	1



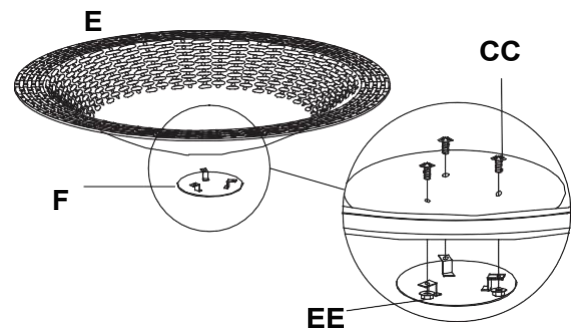
Assembly Steps

Fig.1



Step 1: Attach handle (A) to Mesh wire cover (B) and secure it with 1xM6 nut (DD), as shown in Fig. 1.

Fig.2



Step 2: Attach Ash catcher (F) to Fire bowl (E) and secure it with 3x M5x10 mm bolts (CC) and 3x M5 nuts (EE), as shown in Fig. 2.

Fig.3

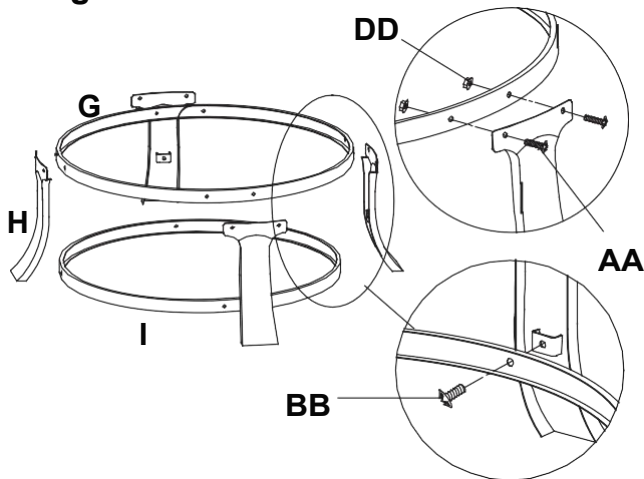
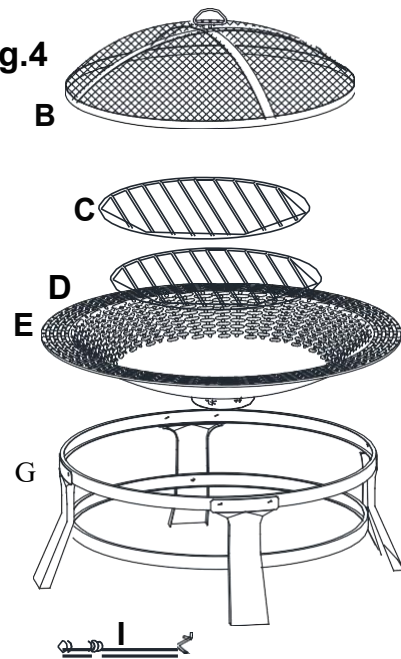


Fig.4



Step 3: Attach 4 Legs (H) to Up-coupling ring (G) with 8x M6x15 mm bolts (AA) and 8x M6 nut (DD) and tighten slightly. Connect Down-coupling ring (G) and (I) with 4x M6x10 mm bolts (BB), and then tighten all the connections. As shown in Fig. 3.

Step 4 : Place the Fire bowl (E) on the leg/ring assembly. Place the Grate (C) Grill(D) into the Fire bowl and put the Mesh wire cover (B) on the (E) as shown in Fig. 4.

WARNINGS:

FOR OUTDOOR USE ONLY! Burning wood or charcoal indoors can be harmful, it gives off carbon monoxide, which has no odor.

• **NEVER LEAVE FIRE UNATTENDED!**

- **DO NOT** allow children or pets near the fire pit without supervision.
- **DO NOT** touch surface of fire pit while in use.
- **NEVER** burn in vehicles, tents or indoors. **CARBON MONOXIDE HAZARD.**
- **NEVER** place a cover on fire pit when in use. Ensure the fire pit and mesh cover have cooled before placing a cover over the fire pit.
- When the fire pit is in use, the handle on the mesh cover can reach extreme temperatures that can cause serious injury to an unprotected hand. Use a poker when handling.

CAUTIONS:

- Burn only wood, charcoal or fire logs in the fire pit.
- **DO NOT** use gasoline or kerosene to start the fire in your fire pit.
- **DO NOT** use this unit on a wood deck, long or dry grass and/or leaves, or on combustible surfaces.
- **DO NOT** attempt to move the fire pit while it is hot or in use.
- Place the fire pit no closer than 8 ft / 2.4 meters from walls or combustibles during use.
- Adequate fire extinguishing material should be readily available.
- Poker handle may become hot during and after use.
- Use heat-resistant gloves to handle hot tools.
- **DO NOT** place or use fire pit under a canopy of trees.
- Always ensure the doors are securely closed while in use.