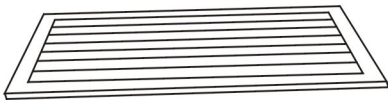
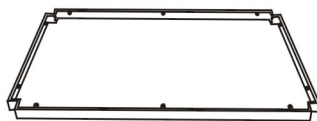
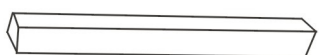
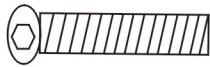




A			1
B			1
C			4
D		$\frac{1}{4} \times 21$	16
E		S27	16
F			1

Rect alum latte coffee table, 20"x40"

